



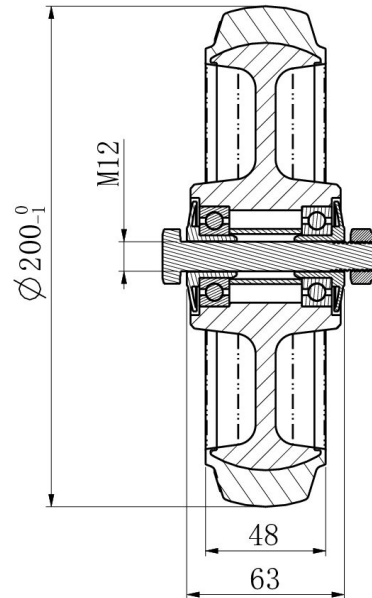
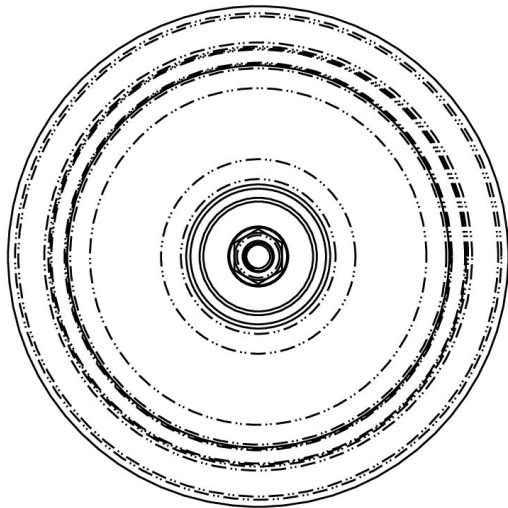
## WHEEL 200R4E2D34



<b>Product SKU</b>	200R4E2D34
<b>Standard Compliance</b>	DIN EN 12532
<b>Series</b>	R4E2
<b>Material of the Wheel</b>	polyamide (PA) wheel center
<b>Tread</b>	elastic tread
<b>Temperature range</b>	-20°C to +80°C
<b>Wheel Diameter</b>	200mm
<b>Load Capacity</b>	350kg
<b>Width of Tread</b>	46mm
<b>wheel hub Width</b>	59mm
<b>Wheel Bolt Size</b>	M12
<b>Bushing Diameter</b>	12mm
<b>Weight</b>	1.19kg
<b>Wheel Bearing</b>	double ball bearing
<b>Rubber Shore</b>	65° Shore A



# WHEEL 200R4E2D34



TD_200R4E2D34		
load capacity	350KG	