



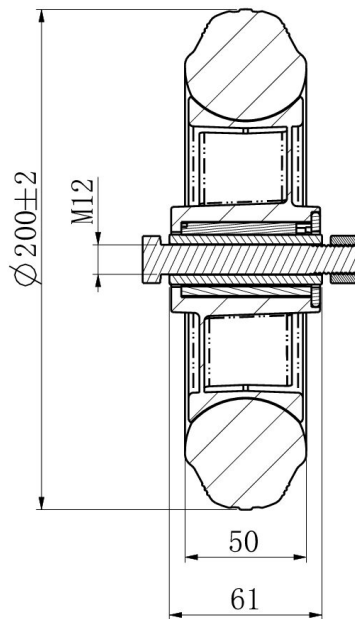
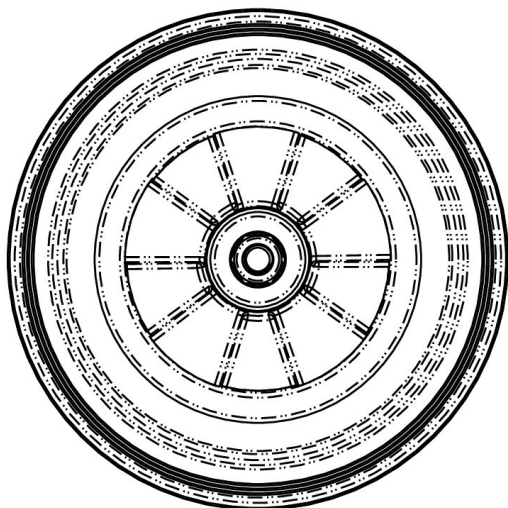
WHEEL 200P4S4R0N



Product SKU	200P4S4R0N
Standard Compliance	DIN EN 12532
Series	P4S4
Material of the Wheel	polypropylene (PP) wheel center
Tread	solid rubber tread
Temperature range	-20°C to +60°C
Wheel Diameter	200mm
Load Capacity	205kg
Width of Tread	50mm
wheel hub Width	59mm
Wheel Bolt Size	M12
Bushing Diameter	20mm
Weight	1.6kg
Wheel Bearing	roller bearing
Rubber Shore	85° Shore A



WHEEL 200P4S4R0N



TD_200P4S4R0N

load
capacity

205KG

