



WHEEL 200P2V2R1W

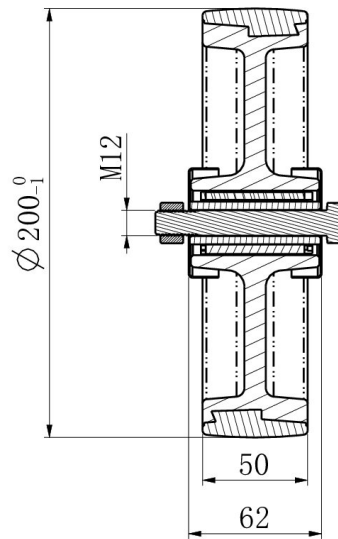
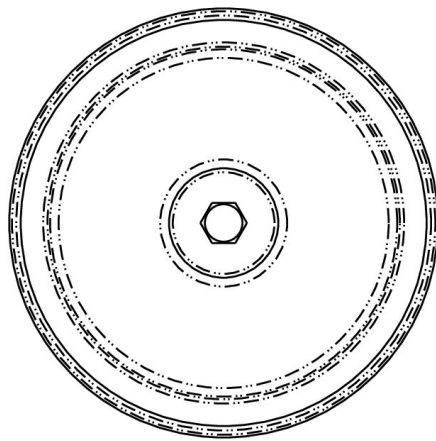


Product SKU	200P2V2R1W
Standard Compliance	DIN EN 12532
Series	P2V2
Material of the Wheel	polypropylene (PP) wheel center
Tread	thermoplastic rubber tread
Temperature range	-20°C to +60°C
Wheel Diameter	200mm
Load Capacity	200kg
Width of Tread	48mm
wheel hub Width	59mm
Wheel Bolt Size	M12
Bushing Diameter	20mm
Weight	0.93kg
Wheel Bearing	roller bearing
Rubber Shore	85° Shore A





WHEEL 200P2V2R1W



TD_200P2V2R1W		
load capacity	200KG	