



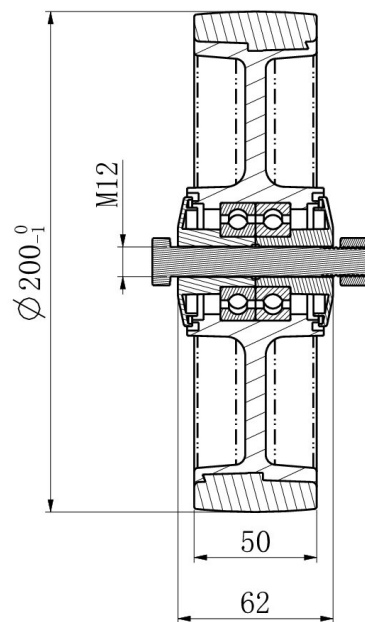
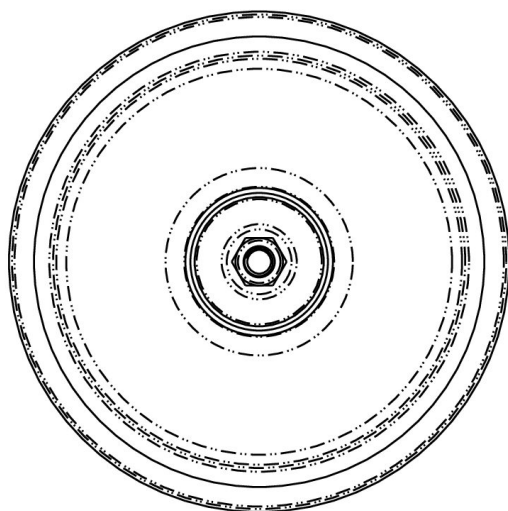
WHEEL 200P2V2D32



Product SKU	200P2V2D32
Standard Compliance	DIN EN 12532
Series	P2V2
Material of the Wheel	polypropylene (PP) wheel center
Tread	thermoplastic rubber tread
Temperature range	-20°C to +60°C
Wheel Diameter	200mm
Load Capacity	200kg
Width of Tread	48mm
wheel hub Width	59mm
Wheel Bolt Size	M12
Bushing Diameter	12mm
Weight	0.95kg
Wheel Bearing	double ball bearing
Rubber Shore	85° Shore A



WHEEL 200P2V2D32



TD_200P2V2D32

load
capacity

200KG

