



WHEEL 200N2U6R1W

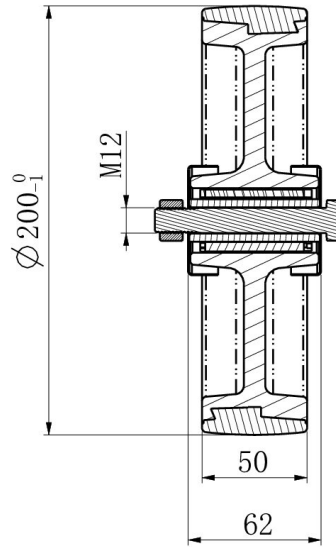
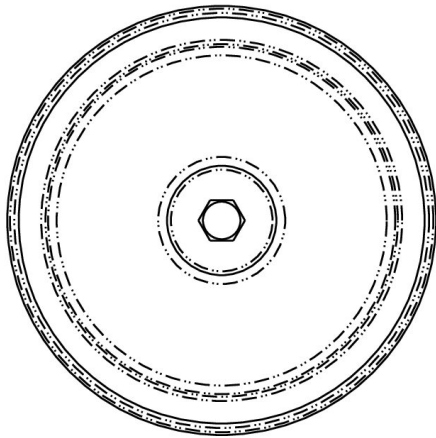


Product SKU	200N2U6R1W
Standard Compliance	DIN EN 12532
Series	N2U6
Material of the Wheel	polyamide (PA) wheel center
Tread	polyurethane (PU) tread
Temperature range	-40°C to +80°C
Wheel Diameter	200mm
Load Capacity	350kg
Width of Tread	48mm
wheel hub Width	59mm
Wheel Bolt Size	M12
Bushing Diameter	20mm
Weight	1.07kg
Wheel Bearing	roller bearing
Rubber Shore	95° Shore A





WHEEL 200N2U6R1W



TD_200N2U6R1W		
load capacity	350KG	