



WHEEL 200N2U6D32

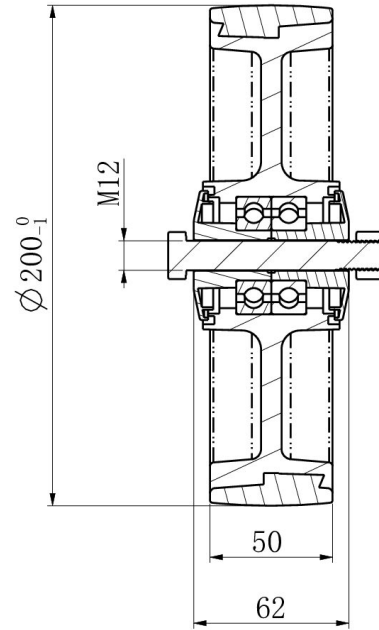
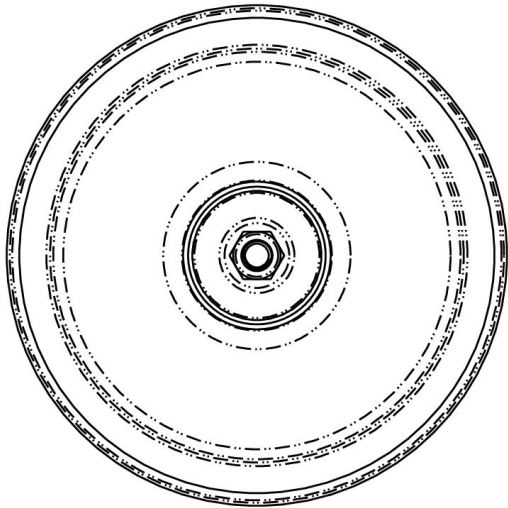


| | |
|------------------------------|-----------------------------|
| Product SKU | 200N2U6D32 |
| Standard Compliance | DIN EN 12532 |
| Series | N2U6 |
| Material of the Wheel | polyamide (PA) wheel center |
| Tread | polyurethane (PU) tread |
| Temperature range | -40°C to +80°C |
| Wheel Diameter | 200mm |
| Load Capacity | 350kg |
| Width of Tread | 48mm |
| wheel hub Width | 59mm |
| Wheel Bolt Size | M12 |
| Bushing Diameter | 12mm |
| Wheel Bearing | double ball bearing |
| Rubber Shore | 95° Shore A |





WHEEL 200N2U6D32



| | | |
|---------------|-------|--|
| TD_200N2U6D32 | | |
| load capacity | 350KG | |