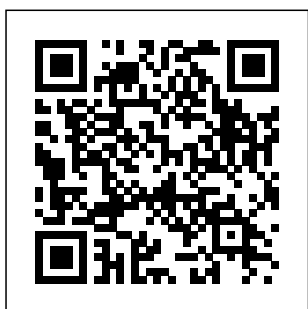




WHEEL 200N0N0P0N

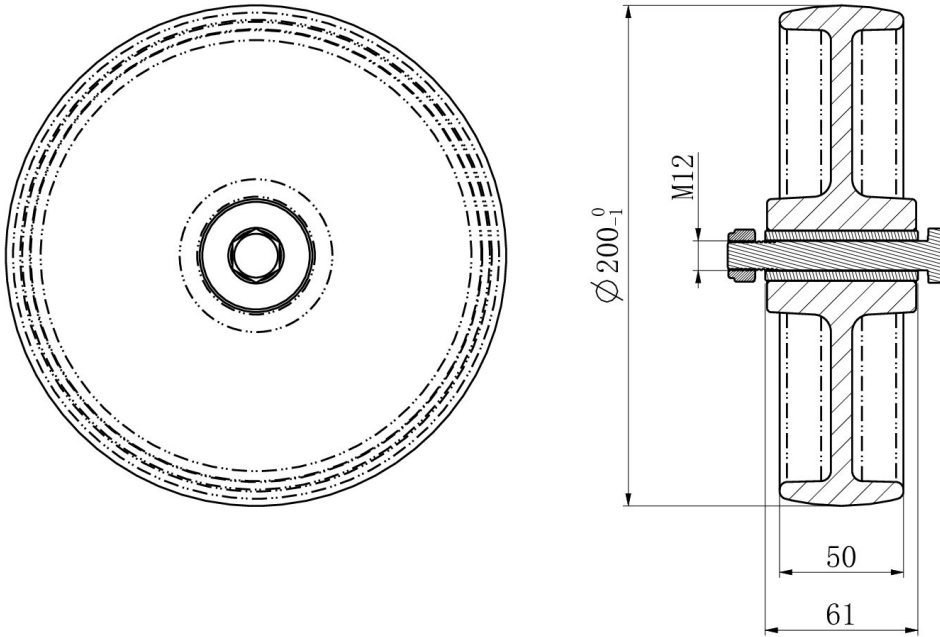


Product SKU	200N0N0P0N
Standard Compliance	DIN EN 12532
Series	N0N0
Material of the Wheel	polyamide (PA) wheel center
Tread	polyamide (PA) tread
Temperature range	-40°C to +80°C
Wheel Diameter	200mm
Load Capacity	300kg
Width of Tread	50mm
wheel hub Width	59mm
Wheel Bolt Size	M12
Bushing Diameter	20mm
Weight	0.78kg
Wheel Bearing	plain bearing





WHEEL 200N0N0P0N



TD_200N0N0P0N	
load capacity	300KG

