



WHEEL 160P2G2B32E

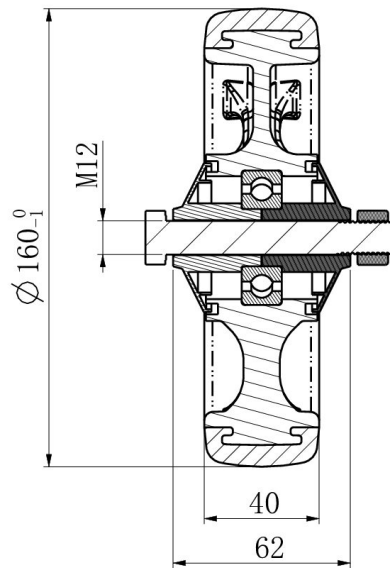
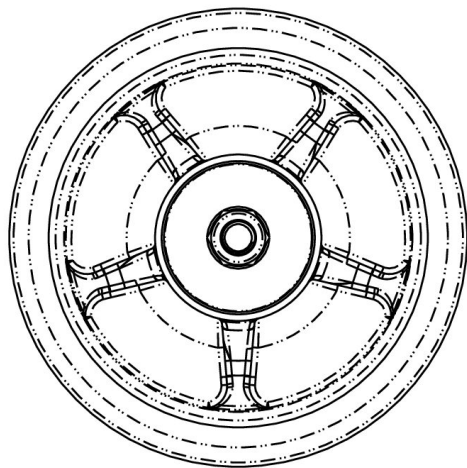


Product SKU	160P2G2B32E
Standard Compliance	DIN EN 12532
Series	P2G2 (ESD)
Material of the Wheel	polypropylene (PP) wheel center
Tread	thermoplastic rubber tread
Temperature range	-20°C to +60°C
Wheel Diameter	160mm
Load Capacity	135kg
Width of Tread	40mm
wheel hub Width	59mm
Wheel Bolt Size	M12
Bushing Diameter	12mm
Weight	0.63kg
Wheel Bearing	ball bearing
Special Features	electrostatic (ESD)





WHEEL 160P2G2B32E



TD_160P2G2B32E		
load capacity	135KG	