



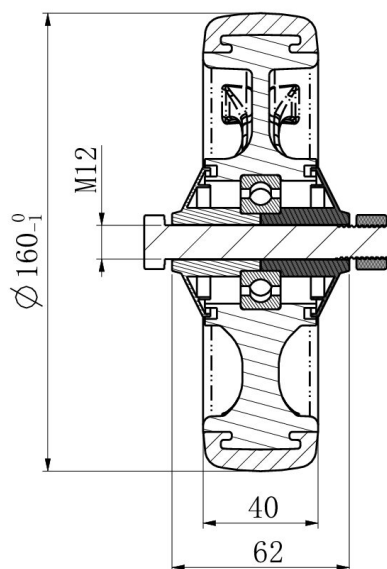
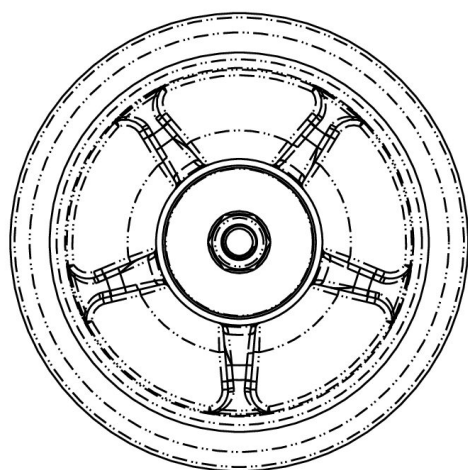
WHEEL 160P2G2B32



Product SKU	160P2G2B32
Standard Compliance	DIN EN 12532
Series	P2G2
Material of the Wheel	polypropylene (PP) wheel center
Tread	thermoplastic rubber tread
Temperature range	-20°C to +60°C
Wheel Diameter	160mm
Load Capacity	200kg
Width of Tread	40mm
wheel hub Width	59mm
Wheel Bolt Size	M12
Bushing Diameter	12mm
Weight	0.6kg
Wheel Bearing	ball bearing
Rubber Shore	70° Shore A



WHEEL 160P2G2B32



TD_160P2G2B32		
load capacity	200KG	