



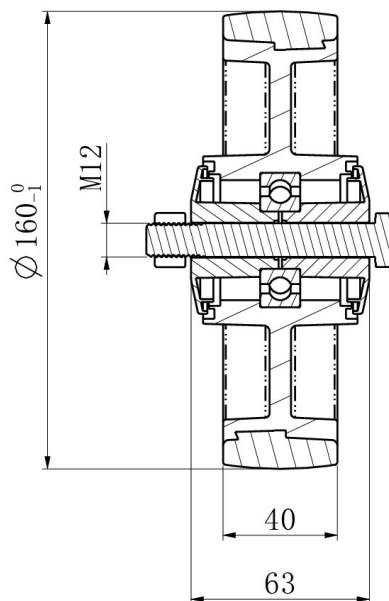
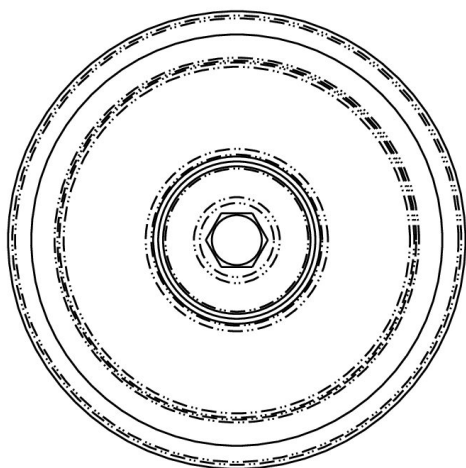
WHEEL 160N2U6B32



Product SKU	160N2U6B32
Standard Compliance	DIN EN 12532
Series	N2U6
Material of the Wheel	polyamide (PA) wheel center
Tread	polyurethane (PU) tread
Temperature range	-40°C to +80°C
Wheel Diameter	160mm
Load Capacity	350kg
Width of Tread	40mm
wheel hub Width	59mm
Wheel Bolt Size	M12
Bushing Diameter	12mm
Weight	0.72kg
Wheel Bearing	ball bearing
Rubber Shore	95° Shore A



WHEEL 160N2U6B32



TD_160N2U6B32	
load capacity	300KG

