



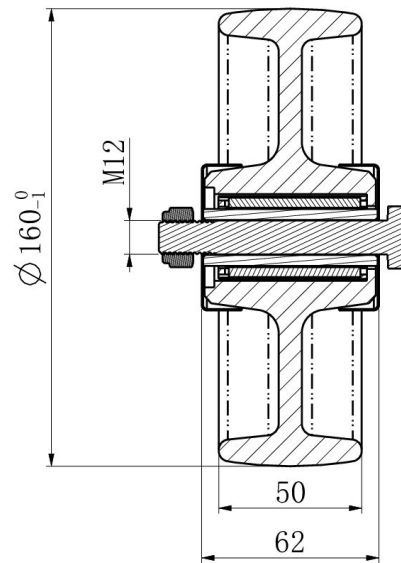
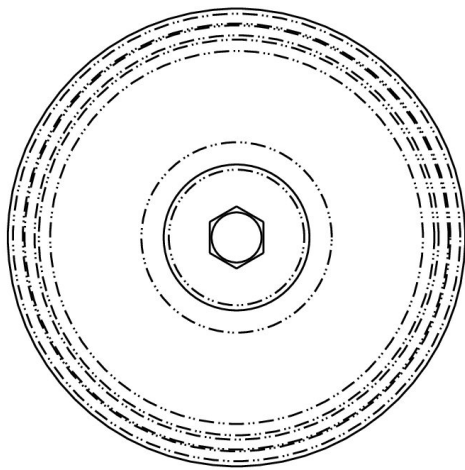
WHEEL 160N0N0R1W



Product SKU	160N0N0R1W
Standard Compliance	DIN EN 12532
Series	N0N0
Material of the Wheel	polyamide (PA) wheel center
Tread	polyamide (PA) tread
Temperature range	-40°C to +80°C
Wheel Diameter	160mm
Load Capacity	300kg
Width of Tread	50mm
wheel hub Width	59mm
Wheel Bolt Size	M12
Bushing Diameter	20mm
Weight	0.72kg
Wheel Bearing	roller bearing



WHEEL 160N0R1W



TD_160N0R1W		
load capacity	300KG	