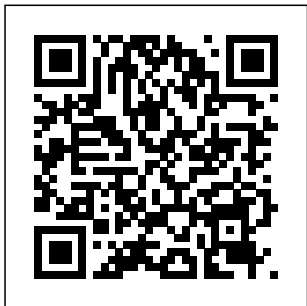




## WHEEL 160N0N0P0N

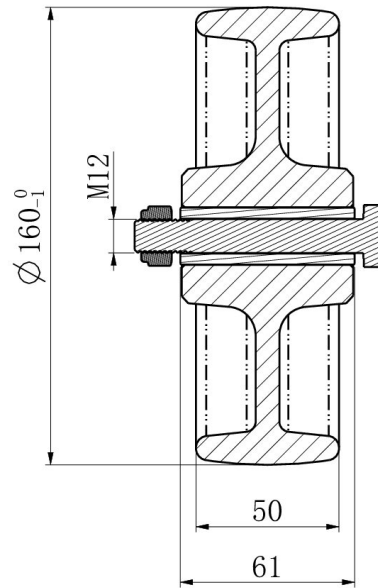
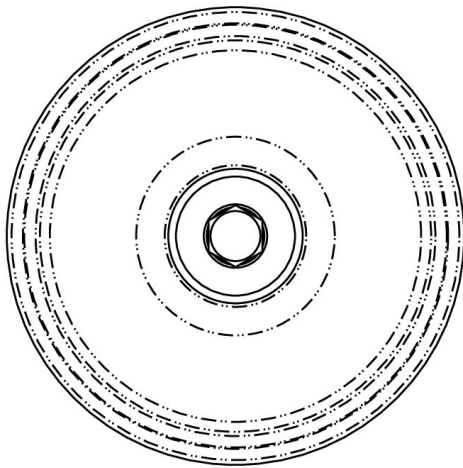


<b>Product SKU</b>	160N0N0P0N
<b>Standard Compliance</b>	DIN EN 12532
<b>Series</b>	N0N0
<b>Material of the Wheel</b>	polyamide (PA) wheel center
<b>Tread</b>	polyamide (PA) tread
<b>Temperature range</b>	-40°C to +80°C
<b>Wheel Diameter</b>	160mm
<b>Load Capacity</b>	300kg
<b>Width of Tread</b>	50mm
<b>wheel hub Width</b>	59mm
<b>Wheel Bolt Size</b>	M12
<b>Bushing Diameter</b>	20mm
<b>Weight</b>	0.64kg
<b>Wheel Bearing</b>	plain bearing





# WHEEL 160N0N0P0N



TD_160N0N0P0N		
load capacity	300KG	