



WHEEL 125T6P2B36

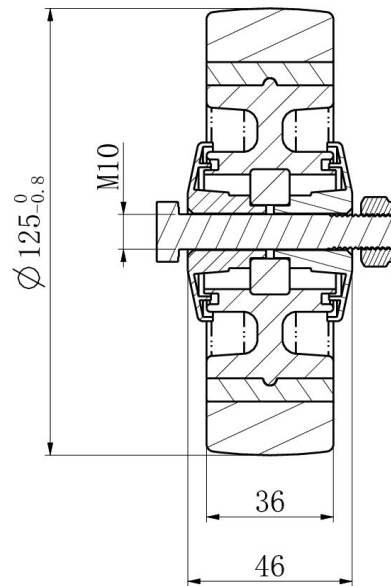
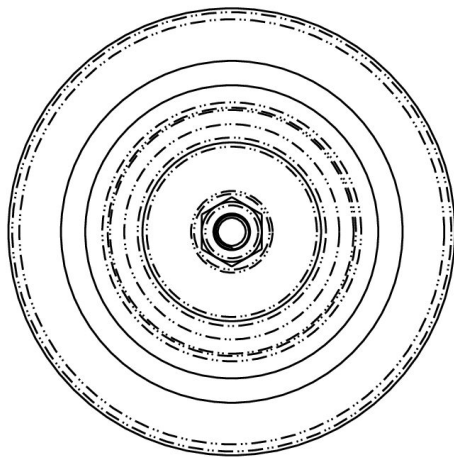


Product SKU	125T6P2B36
Standard Compliance	DIN EN 12532
Series	T6P2
Material of the Wheel	polypropylene (PP) wheel center
Tread	polypropylene (PP) tread
Temperature range	-20°C to +60°C
Wheel Diameter	125mm
Load Capacity	200kg
Width of Tread	36mm
wheel hub Width	50mm
Wheel Bolt Size	M10
Bushing Diameter	10mm
Wheel Bearing	ball bearing





WHEEL 125T6P2B36



TD_125T6P2B36		
load capacity	200KG	