



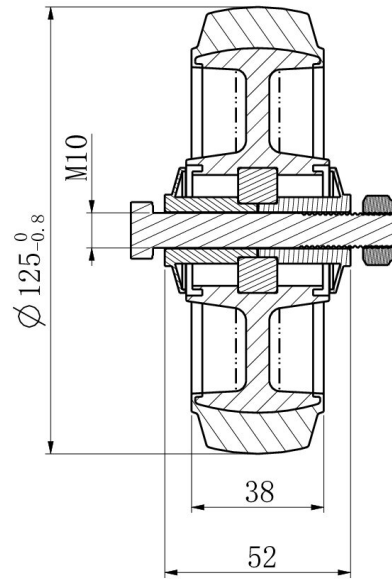
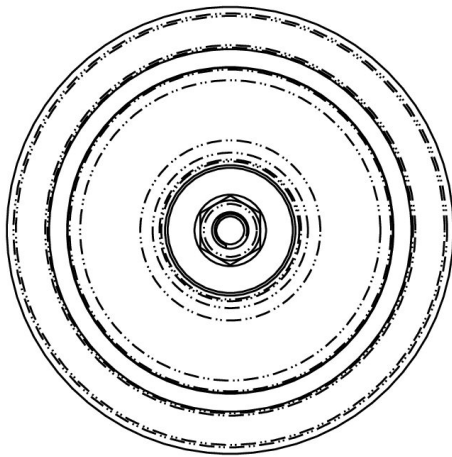
## WHEEL 125R4E2B34



|                              |                             |
|------------------------------|-----------------------------|
| <b>Product SKU</b>           | 125R4E2B34                  |
| <b>Standard Compliance</b>   | DIN EN 12532                |
| <b>Series</b>                | R4E2                        |
| <b>Material of the Wheel</b> | polyamide (PA) wheel center |
| <b>Tread</b>                 | elastic tread               |
| <b>Temperature range</b>     | -20°C to +80°C              |
| <b>Wheel Diameter</b>        | 125mm                       |
| <b>Load Capacity</b>         | 250kg                       |
| <b>Width of Tread</b>        | 38mm                        |
| <b>wheel hub Width</b>       | 50mm                        |
| <b>Wheel Bolt Size</b>       | M10                         |
| <b>Bushing Diameter</b>      | 10mm                        |
| <b>Weight</b>                | 0.41kg                      |
| <b>Wheel Bearing</b>         | ball bearing                |
| <b>Rubber Shore</b>          | 65° Shore A                 |



# WHEEL 125R4E2B34



TD\_125R4E2B34

load  
capacity

220KG

