



WHEEL 125R4E1B34

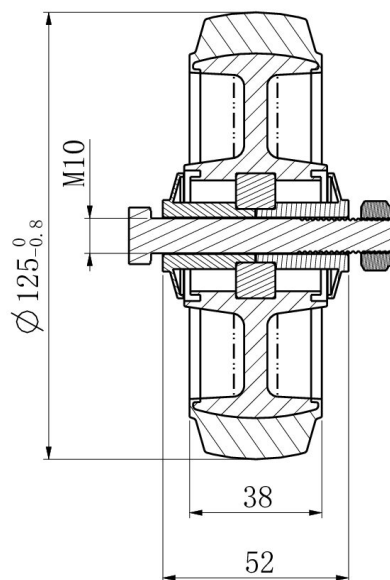
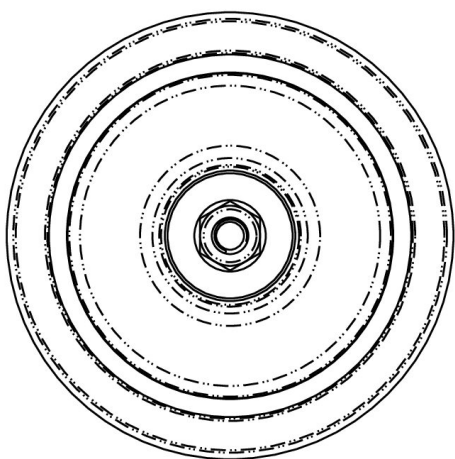


Product SKU	125R4E1B34
Standard Compliance	DIN EN 12532
Series	R4E1
Material of the Wheel	polyamide (PA) wheel center
Tread	elastic tread
Temperature range	-20°C to +80°C
Wheel Diameter	125mm
Load Capacity	250kg
Width of Tread	38mm
wheel hub Width	50mm
Wheel Bolt Size	M10
Bushing Diameter	10mm
Weight	0.41kg
Wheel Bearing	ball bearing
Rubber Shore	65° Shore A





WHEEL 125R4E1B34



TD_125R4E1B34

load
capacity

220KG

