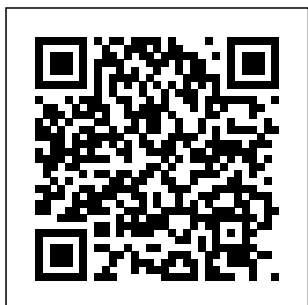




WHEEL 125P4R2R0N

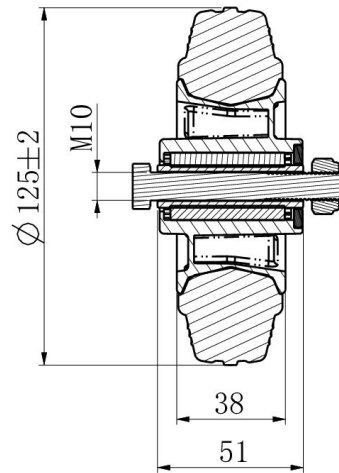
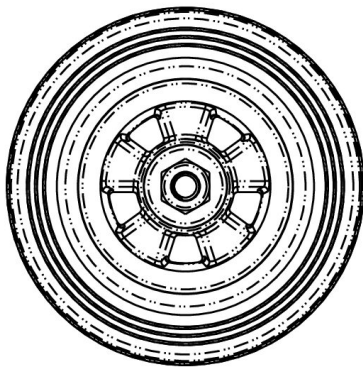


Product SKU	125P4R2R0N
Standard Compliance	DIN EN 12532
Series	P4R2
Material of the Wheel	polypropylene (PP) wheel center
Tread	solid rubber tread
Temperature range	-20°C to +60°C
Wheel Diameter	125mm
Load Capacity	100kg
Width of Tread	38mm
wheel hub Width	50mm
Wheel Bolt Size	M10
Bushing Diameter	15mm
Weight	0.58kg
Wheel Bearing	roller bearing
Rubber Shore	85° Shore A





WHEEL 125P4R2R0N



TD_125P4R2R0N		
load capacity	100KG	