



WHEEL 125P2G2B32E

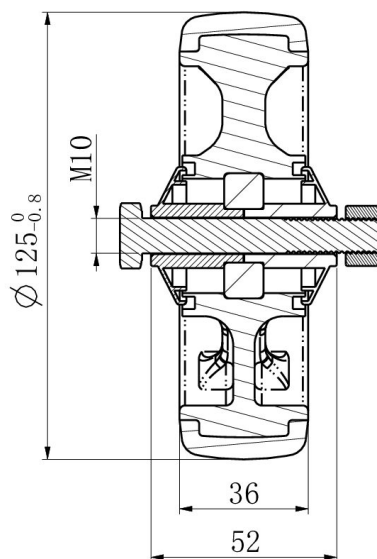
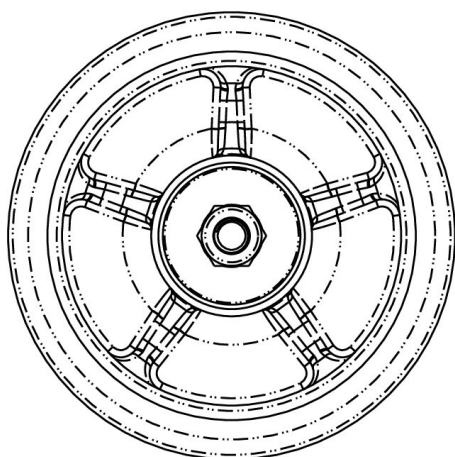


| | |
|------------------------------|---------------------------------|
| Product SKU | 125P2G2B32E |
| Standard Compliance | DIN EN 12532 |
| Series | P2G2 (ESD) |
| Material of the Wheel | polypropylene (PP) wheel center |
| Tread | thermoplastic rubber tread |
| Temperature range | -20°C to +60°C |
| Wheel Diameter | 125mm |
| Load Capacity | 120kg |
| Width of Tread | 35mm |
| wheel hub Width | 50mm |
| Wheel Bolt Size | M10 |
| Bushing Diameter | 10mm |
| Weight | 0.34kg |
| Wheel Bearing | ball bearing |
| Special Features | electrostatic (ESD) |





WHEEL 125P2G2B32E



| | | |
|----------------|-------|--|
| TD_125P2G2B32E | | |
| load capacity | 120KG | |