



WHEEL 125P2G2B32A

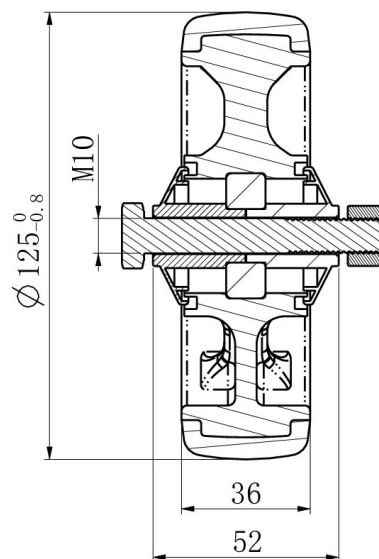
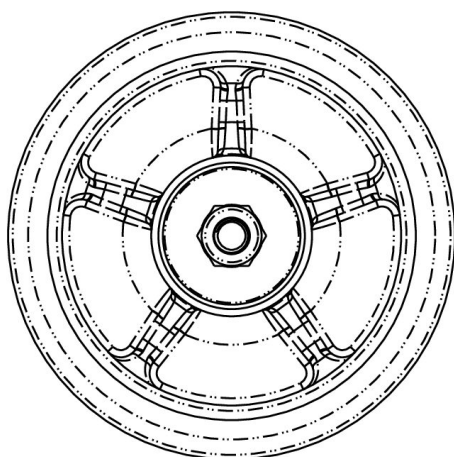


Product SKU	125P2G2B32A
Standard Compliance	DIN EN 12532
Series	P2G2 (antistatic)
Material of the Wheel	polypropylene (PP) wheel center
Tread	thermoplastic rubber tread
Temperature range	-20°C to +60°C
Wheel Diameter	125mm
Load Capacity	120kg
Width of Tread	35mm
wheel hub Width	50mm
Wheel Bolt Size	M10
Bushing Diameter	10mm
Wheel Bearing	ball bearing
Special Features	antistatic





WHEEL 125P2G2B32A



TD_125P2G2B32A	
load capacity	120KG

