



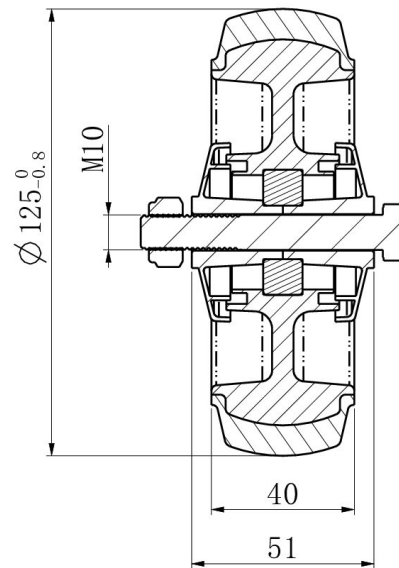
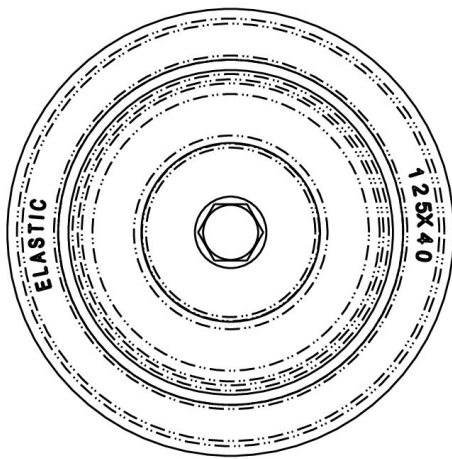
## WHEEL 125P2D2B32E



<b>Product SKU</b>	125P2D2B32E
<b>Standard Compliance</b>	DIN EN 12532
<b>Series</b>	P2D2 (ESD)
<b>Material of the Wheel</b>	polypropylene (PP) wheel center
<b>Tread</b>	thermoplastic rubber tread
<b>Temperature range</b>	-20°C to +60°C
<b>Wheel Diameter</b>	125mm
<b>Load Capacity</b>	120kg
<b>Width of Tread</b>	40mm
<b>wheel hub Width</b>	50mm
<b>Wheel Bolt Size</b>	M10
<b>Bushing Diameter</b>	10mm
<b>Weight</b>	0.39kg
<b>Wheel Bearing</b>	ball bearing
<b>Special Features</b>	electrostatic (ESD)



# WHEEL 125P2D2B32E



TD\_125P2D2B32E

load  
capacity

120KG

