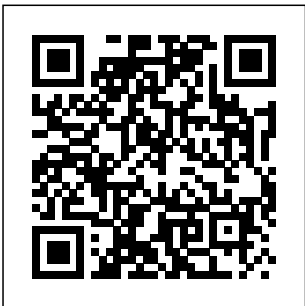




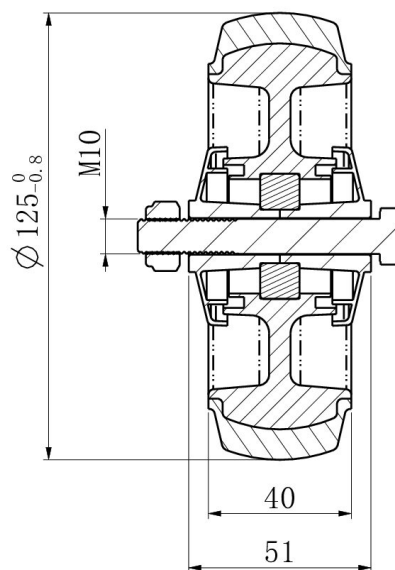
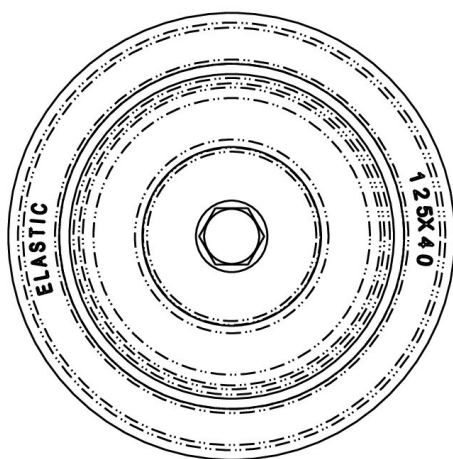
WHEEL 125P2D2B32A



Product SKU	125P2D2B32A
Standard Compliance	DIN EN 12532
Series	P2D2 (antistatic)
Material of the Wheel	polypropylene (PP) wheel center
Tread	thermoplastic rubber tread
Temperature range	-20°C to +60°C
Wheel Diameter	125mm
Load Capacity	120kg
Width of Tread	40mm
wheel hub Width	50mm
Wheel Bolt Size	M10
Bushing Diameter	10mm
Wheel Bearing	ball bearing
Special Features	antistatic



WHEEL 125P2D2B32A



TD_125P2D2B32A		
load capacity	120KG	