



WHEEL 125P2D2B32

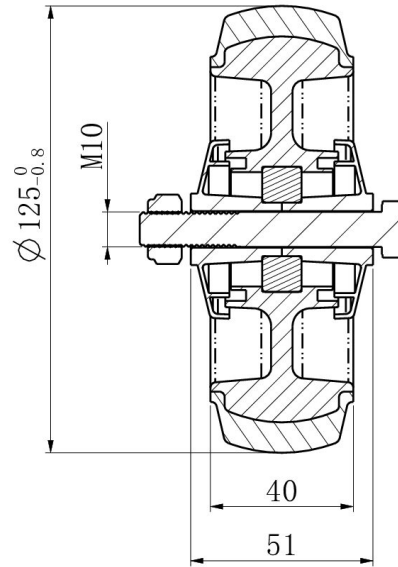
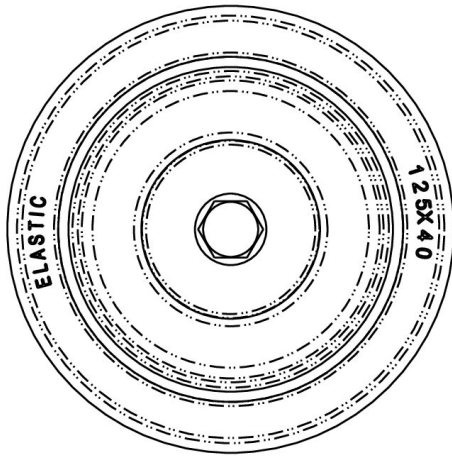


Product SKU	125P2D2B32
Standard Compliance	DIN EN 12532
Series	P2D2
Material of the Wheel	polypropylene (PP) wheel center
Tread	thermoplastic rubber tread
Temperature range	-20°C to +60°C
Wheel Diameter	125mm
Load Capacity	165kg
Width of Tread	40mm
wheel hub Width	50mm
Wheel Bolt Size	M10
Bushing Diameter	10mm
Weight	0.37kg
Wheel Bearing	ball bearing
Rubber Shore	70° Shore A





WHEEL 125P2D2B32



TD_125P2D2B32		
load capacity	165KG	