



## WHEEL 125N2U6B32

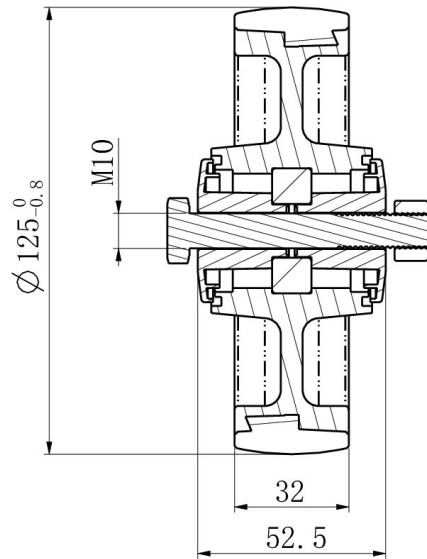
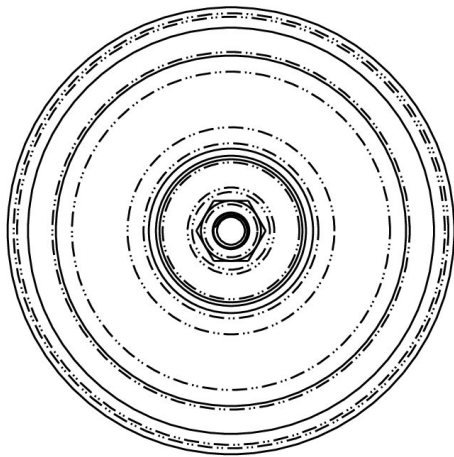


<b>Product SKU</b>	125N2U6B32
<b>Standard Compliance</b>	DIN EN 12532
<b>Series</b>	N2U6
<b>Material of the Wheel</b>	polyamide (PA) wheel center
<b>Tread</b>	polyurethane (PU) tread
<b>Temperature range</b>	-40°C to +80°C
<b>Wheel Diameter</b>	125mm
<b>Load Capacity</b>	200kg
<b>Width of Tread</b>	32mm
<b>wheel hub Width</b>	50mm
<b>Wheel Bolt Size</b>	M10
<b>Bushing Diameter</b>	10mm
<b>Weight</b>	0.37kg
<b>Wheel Bearing</b>	ball bearing
<b>Rubber Shore</b>	95° Shore A





# WHEEL 125N2U6B32



TD_125N2U6B32		
load capacity	200KG	