



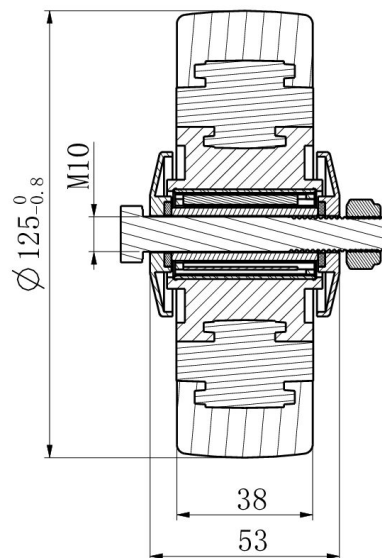
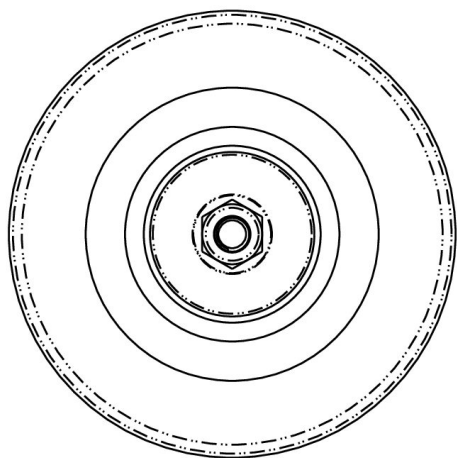
## WHEEL 125M6N2R32



<b>Product SKU</b>	125M6N2R32
<b>Standard Compliance</b>	DIN EN 12532
<b>Series</b>	M6N2
<b>Material of the Wheel</b>	polyamide (PA) wheel center
<b>Tread</b>	polyamide (PA) tread
<b>Temperature range</b>	-20°C to +80°C
<b>Wheel Diameter</b>	125mm
<b>Load Capacity</b>	200kg
<b>Width of Tread</b>	36mm
<b>wheel hub Width</b>	50mm
<b>Wheel Bolt Size</b>	M10
<b>Bushing Diameter</b>	15mm
<b>Weight</b>	0.66kg
<b>Wheel Bearing</b>	roller bearing



# WHEEL 125M6N2R32



TD_125M6N2R32		
load capacity	200KG	