



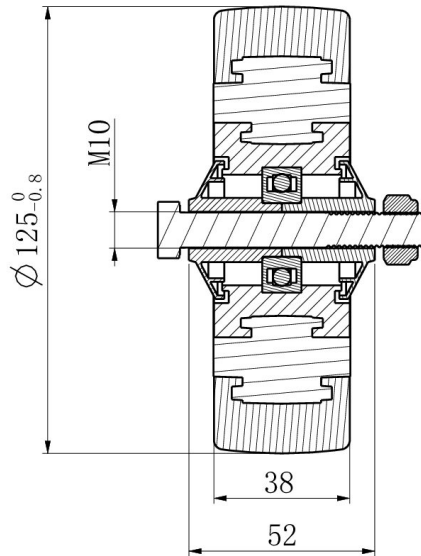
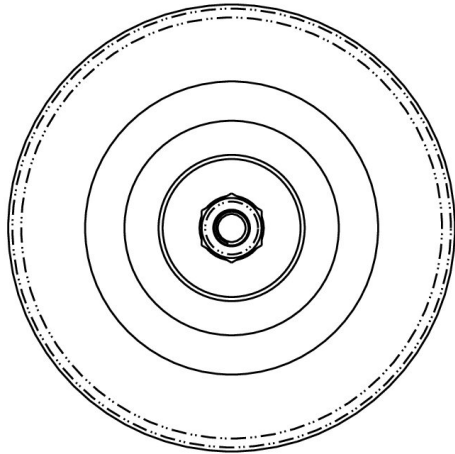
WHEEL 125M6N2B32



Product SKU	125M6N2B32
Standard Compliance	DIN EN 12532
Series	M6N2
Material of the Wheel	polyamide (PA) wheel center
Tread	polyamide (PA) tread
Temperature range	-20°C to +80°C
Wheel Diameter	125mm
Load Capacity	200kg
Width of Tread	36mm
wheel hub Width	50mm
Wheel Bolt Size	M10
Bushing Diameter	10mm
Wheel Bearing	ball bearing



WHEEL 125M6N2B32



TD_125M6N2B32		
load capacity	200KG	