



## WHEEL 125M6K6B32

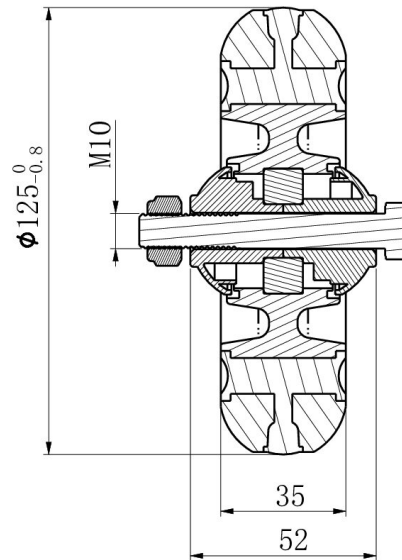
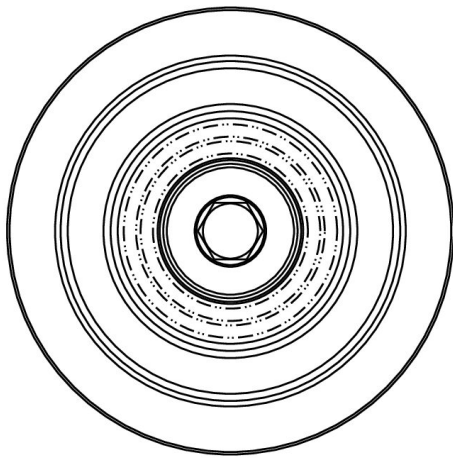


<b>Product SKU</b>	125M6K6B32
<b>Standard Compliance</b>	DIN EN 12532
<b>Series</b>	M6K6
<b>Material of the Wheel</b>	polyamide (PA) wheel center
<b>Tread</b>	polyamide (PA) tread
<b>Temperature range</b>	-20°C to +80°C
<b>Wheel Diameter</b>	125mm
<b>Load Capacity</b>	200kg
<b>Width of Tread</b>	35mm
<b>wheel hub Width</b>	50mm
<b>Wheel Bolt Size</b>	M10
<b>Bushing Diameter</b>	10mm
<b>Wheel Bearing</b>	ball bearing





# WHEEL 125M6K6B32



TD_125M6K6B32		
load capacity	200KG	