



## WHEEL 100T6P2B36

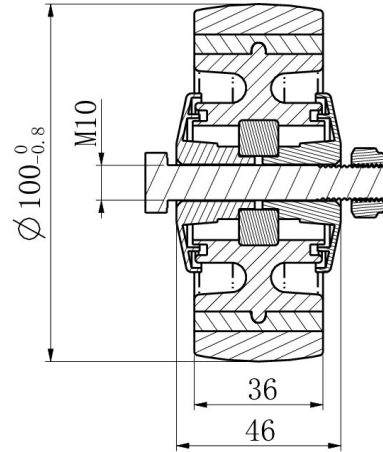


<b>Product SKU</b>	100T6P2B36
<b>Standard Compliance</b>	DIN EN 12532
<b>Series</b>	T6P2
<b>Material of the Wheel</b>	polypropylene (PP) wheel center
<b>Tread</b>	polypropylene (PP) tread
<b>Temperature range</b>	-20°C to +60°C
<b>Wheel Diameter</b>	100mm
<b>Load Capacity</b>	160kg
<b>Width of Tread</b>	36mm
<b>wheel hub Width</b>	40mm
<b>Wheel Bolt Size</b>	M8
<b>Bushing Diameter</b>	8mm
<b>Wheel Bearing</b>	ball bearing





# WHEEL 100T6P2B36



TD_100T6P2B36		
load capacity	160KG	