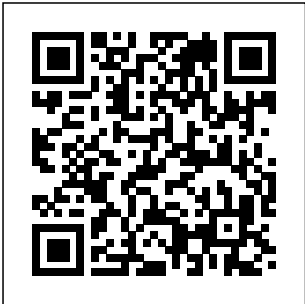




WHEEL 100P2D2B32E

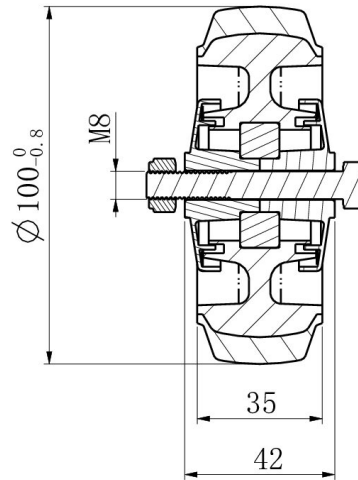
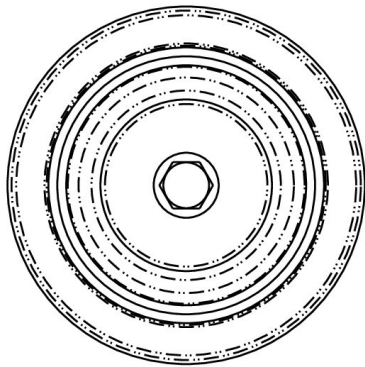


Product SKU	100P2D2B32E
Standard Compliance	DIN EN 12532
Series	P2D2 (ESD)
Material of the Wheel	polypropylene (PP) wheel center
Tread	thermoplastic rubber tread
Temperature range	-20°C to +60°C
Wheel Diameter	100mm
Load Capacity	90kg
Width of Tread	35mm
wheel hub Width	40mm
Wheel Bolt Size	M8
Bushing Diameter	8mm
Weight	0.23kg
Wheel Bearing	ball bearing
Special Features	electrostatic (ESD)





WHEEL 100P2D2B32E



TD_100P2D2B32E		
load capacity	90KG	