



WHEEL 100P2D2B32

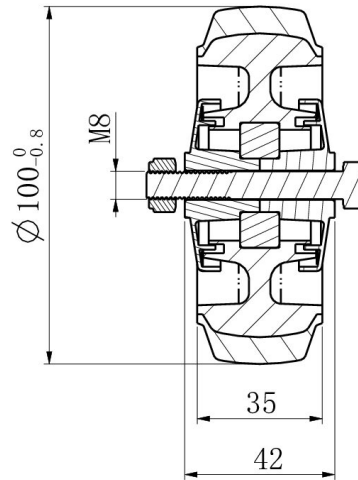
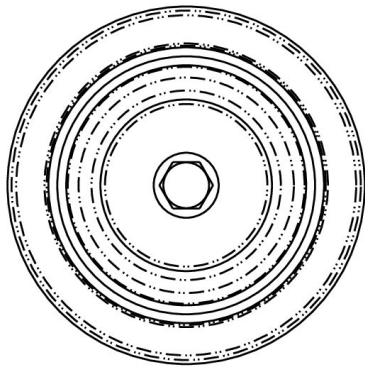


| | |
|------------------------------|---------------------------------|
| Product SKU | 100P2D2B32 |
| Standard Compliance | DIN EN 12532 |
| Series | P2D2 |
| Material of the Wheel | polypropylene (PP) wheel center |
| Tread | thermoplastic rubber tread |
| Temperature range | -20°C to +60°C |
| Wheel Diameter | 100mm |
| Load Capacity | 135kg |
| Width of Tread | 35mm |
| wheel hub Width | 40mm |
| Wheel Bolt Size | M8 |
| Bushing Diameter | 8mm |
| Weight | 0.23kg |
| Wheel Bearing | ball bearing |
| Rubber Shore | 70° Shore A |





WHEEL 100P2D2B32



| | | |
|---------------|-------|--|
| TD_100P2D2B32 | | |
| load capacity | 135KG | |