



WHEEL 080SWU5D0N-100

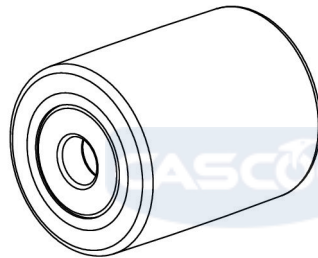
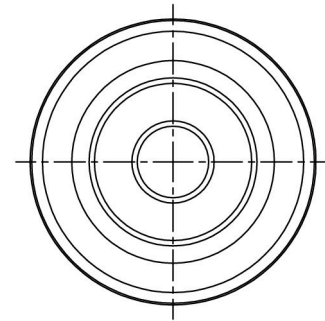
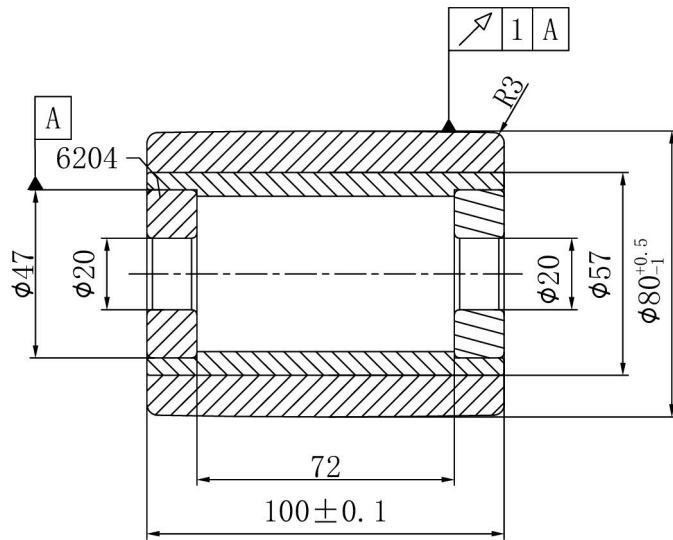


Product SKU	080SWU5D0N-100
Material of the Wheel	steel wheel center
Tread	cast polyurethane (CPU) tread
Temperature range	-20°C to +60°C
Wheel Diameter	80mm
Load Capacity	700kg
Wheel Bearing	double ball bearing
Rubber Shore	95° Shore A





WHEEL 080SWU5D0N-100



080SWU5D0N-100		
load capacity	700KG	