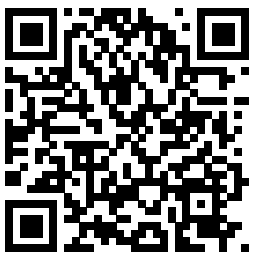




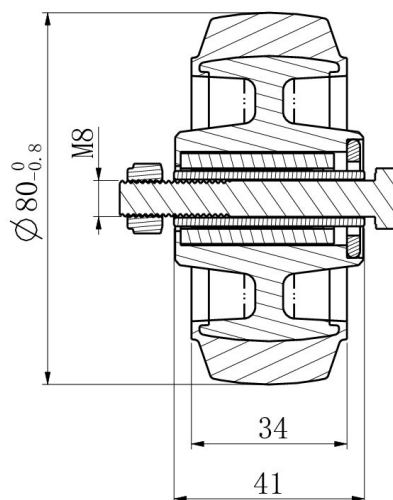
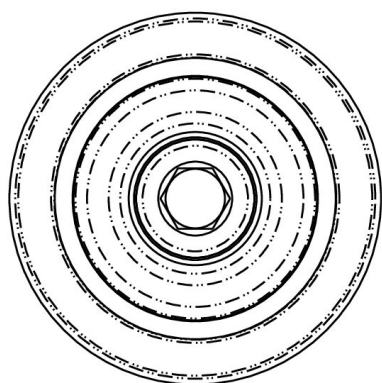
WHEEL 080R4F1R0N



Product SKU	080R4F1R0N
Standard Compliance	DIN EN 12532
Series	R4F1
Material of the Wheel	polyamide (PA) wheel center
Tread	elastic tread
Temperature range	-20°C to +80°C
Wheel Diameter	80mm
Load Capacity	130kg
Width of Tread	35mm
wheel hub Width	40mm
Wheel Bolt Size	M8
Bushing Diameter	12mm
Weight	0.2kg
Wheel Bearing	roller bearing
Rubber Shore	75° Shore A



WHEEL 080R4F1R0N



TD_080R4F1R0N		
load capacity	130KG	