



WHEEL 080P2W2P0N

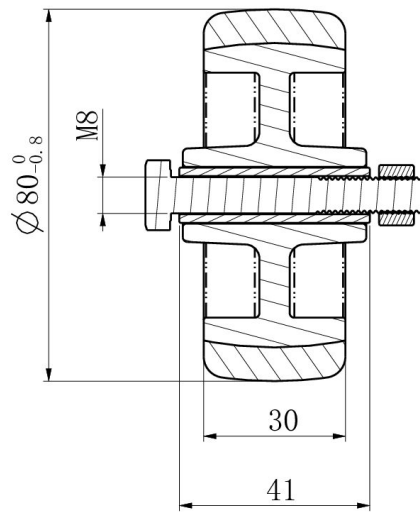
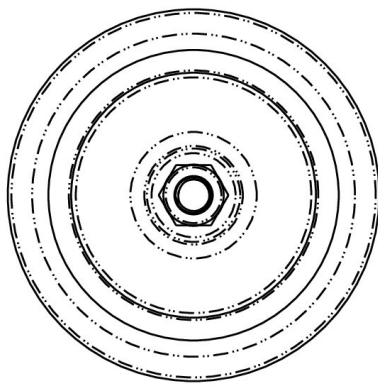


Product SKU	080P2W2P0N
Standard Compliance	DIN EN 12532
Series	P2W2
Material of the Wheel	polypropylene (PP) wheel center
Tread	thermoplastic rubber tread
Temperature range	-20°C to +60°C
Wheel Diameter	80mm
Load Capacity	80kg
Width of Tread	30mm
wheel hub Width	40mm
Wheel Bolt Size	M8
Bushing Diameter	12mm
Weight	0.17kg
Wheel Bearing	plain bearing
Rubber Shore	95° Shore A





WHEEL 080P2W2P0N



TD_080P2W2P0N		
load capacity	75KG	