

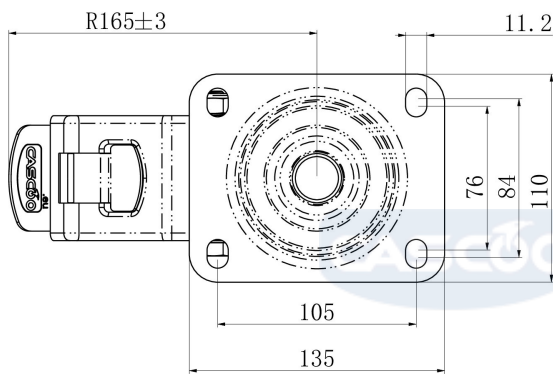
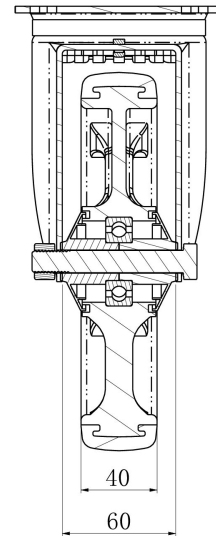
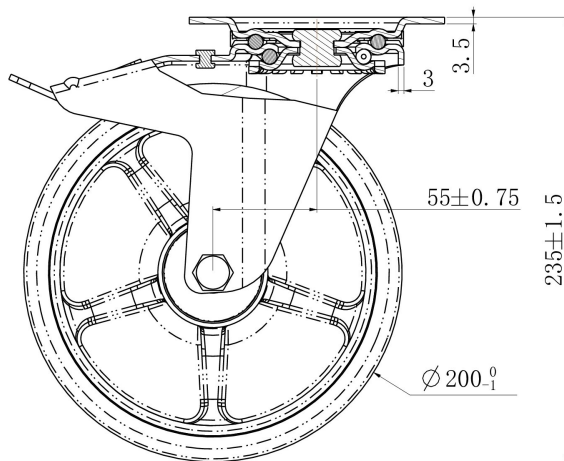
CASTOR TPP58WC200P2G2B32A



| | |
|----------------------------------|---------------------------------|
| Product SKU | TPP58WC200P2G2B32A |
| Standard Compliance | DIN EN 12532 |
| Series | P2G2 (antistatic) |
| Fastening | Plate fastening |
| Brake and Direction | back brake |
| Material of the Wheel | polypropylene (PP) wheel center |
| Tread | thermoplastic rubber tread |
| Temperature range | -20°C to +60°C |
| Wheel Diameter | 200mm |
| Load Capacity | 175kg |
| Total Height | 235mm |
| Width of Tread | 40mm |
| wheel hub Width | 59mm |
| Offset | 55mm |
| Dimension of Plate | 135x110mm |
| Hole Spacing of the Plate | 105x84/76mm |
| Swivel Radius | 165mm |
| Wheel Bolt Size | M12 |
| Bushing Diameter | 12mm |
| Weight | 2.28kg |
| Wheel Bearing | ball bearing |
| Special Features | antistatic |



CASTOR TPP58WC200P2G2B32A



| | | |
|-----------------------|-------|--|
| TD_TPP58WC200P2G2B32A | | |
| load capacity | 175KG | |