

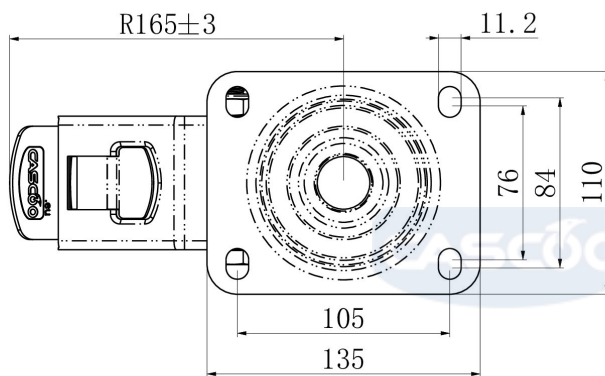
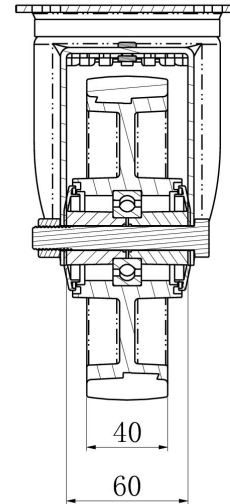
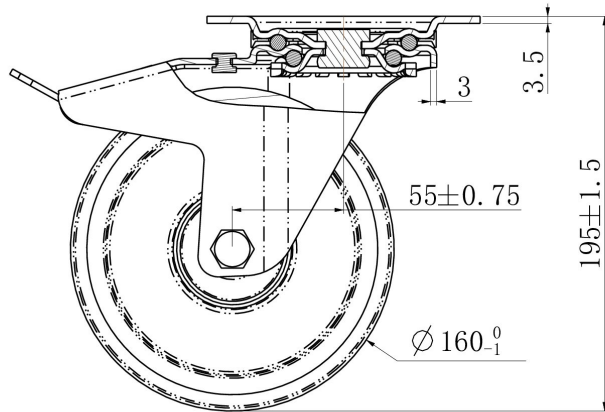
CASTOR TPP58WC160P2V2B32



Product SKU	TPP58WC160P2V2B32
Standard Compliance	DIN EN 12532
Series	P2V2
Fastening	Plate fastening
Brake and Direction	back brake
Material of the Wheel	polypropylene (PP) wheel center
Tread	thermoplastic rubber tread
Temperature range	-20°C to +60°C
Wheel Diameter	160mm
Load Capacity	200kg
Total Height	195mm
Width of Tread	40mm
wheel hub Width	59mm
Offset	55mm
Dimension of Plate	135x110mm
Hole Spacing of the Plate	105x84/76mm
Swivel Radius	165mm
Wheel Bolt Size	M12
Bushing Diameter	12mm
Weight	2.03kg
Wheel Bearing	ball bearing
Rubber Shore	85° Shore A



CASTOR TPP58WC160P2V2B32



TD_TPP58WC160P2V2B32		
load capacity	200KG	