

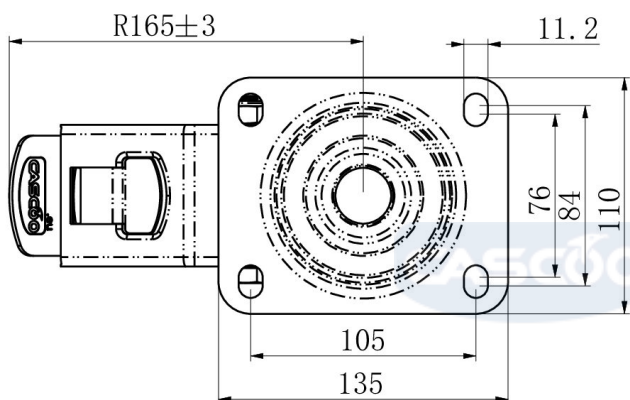
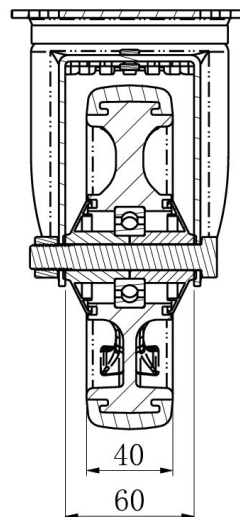
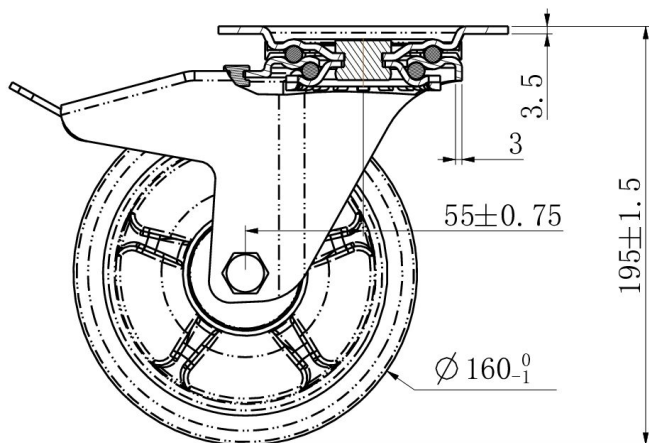
CASTOR TPP58WC160P2G2B32



Product SKU	TPP58WC160P2G2B32
Standard Compliance	DIN EN 12532
Series	P2G2
Fastening	Plate fastening
Brake and Direction	back brake
Material of the Wheel	polypropylene (PP) wheel center
Tread	thermoplastic rubber tread
Temperature range	-20°C to +60°C
Wheel Diameter	160mm
Load Capacity	200kg
Total Height	195mm
Width of Tread	40mm
wheel hub Width	59mm
Offset	55mm
Dimension of Plate	135x110mm
Hole Spacing of the Plate	105x84/76mm
Swivel Radius	165mm
Wheel Bolt Size	M12
Bushing Diameter	12mm
Weight	2.06kg
Wheel Bearing	ball bearing
Rubber Shore	70° Shore A



CASTOR TPP58WC160P2G2B32



TD_TPP58WC160P2G2B32

load capacity

200KG

