

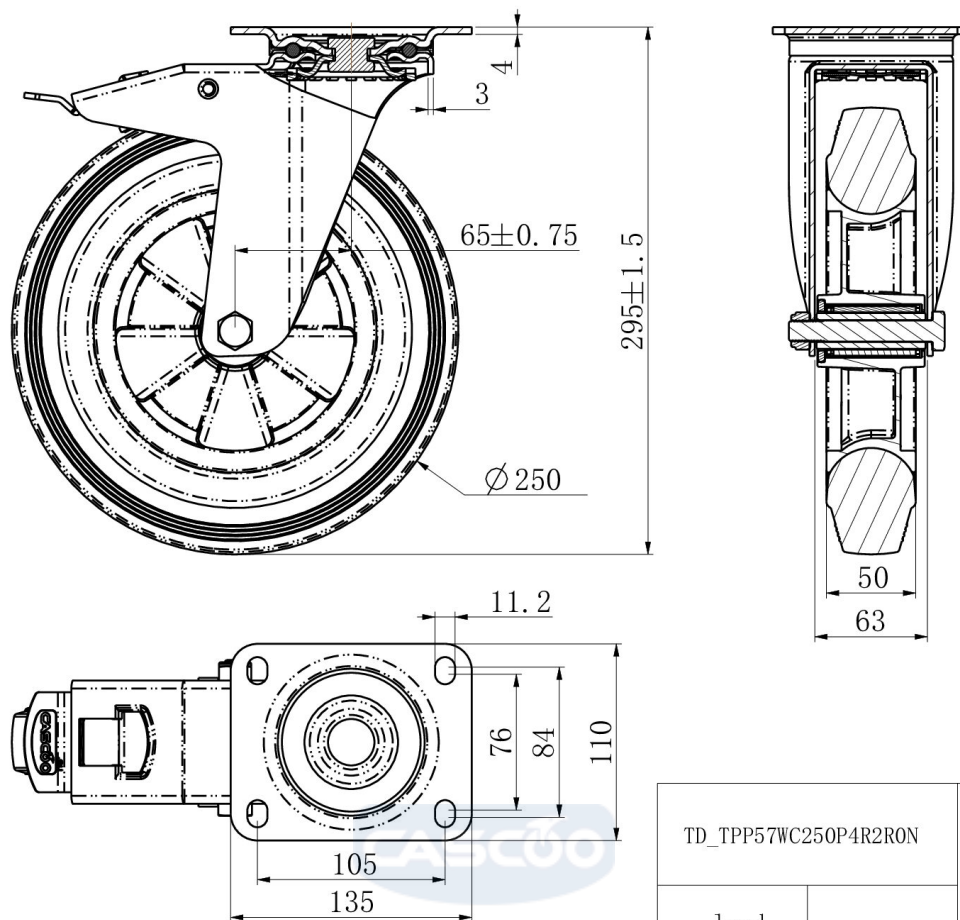
## CASTOR TPP57WC250P4R2R0N




|                                  |                                 |
|----------------------------------|---------------------------------|
| <b>Product SKU</b>               | TPP57WC250P4R2R0N               |
| <b>Standard Compliance</b>       | DIN EN 12532                    |
| <b>Series</b>                    | P4R2                            |
| <b>Fastening</b>                 | Plate fastening                 |
| <b>Brake and Direction</b>       | back brake                      |
| <b>Material of the Wheel</b>     | polypropylene (PP) wheel center |
| <b>Tread</b>                     | solid rubber tread              |
| <b>Temperature range</b>         | -20°C to +60°C                  |
| <b>Wheel Diameter</b>            | 250mm                           |
| <b>Load Capacity</b>             | 250kg                           |
| <b>Total Height</b>              | 295mm                           |
| <b>Width of Tread</b>            | 50mm                            |
| <b>wheel hub Width</b>           | 59mm                            |
| <b>Offset</b>                    | 65mm                            |
| <b>Dimension of Plate</b>        | 135x110mm                       |
| <b>Hole Spacing of the Plate</b> | 105x84/76mm                     |
| <b>Swivel Radius</b>             | 180mm                           |
| <b>Wheel Bolt Size</b>           | M12                             |
| <b>Bushing Diameter</b>          | 20mm                            |
| <b>Wheel Bearing</b>             | roller bearing                  |
| <b>Rubber Shore</b>              | 85° Shore A                     |



CASTOR TPP57WC250P4R2R0N



|                      |       |   |
|----------------------|-------|---|
| TD_TPP57WC250P4R2R0N |       |  |
| load capacity        | 250KG |   |