

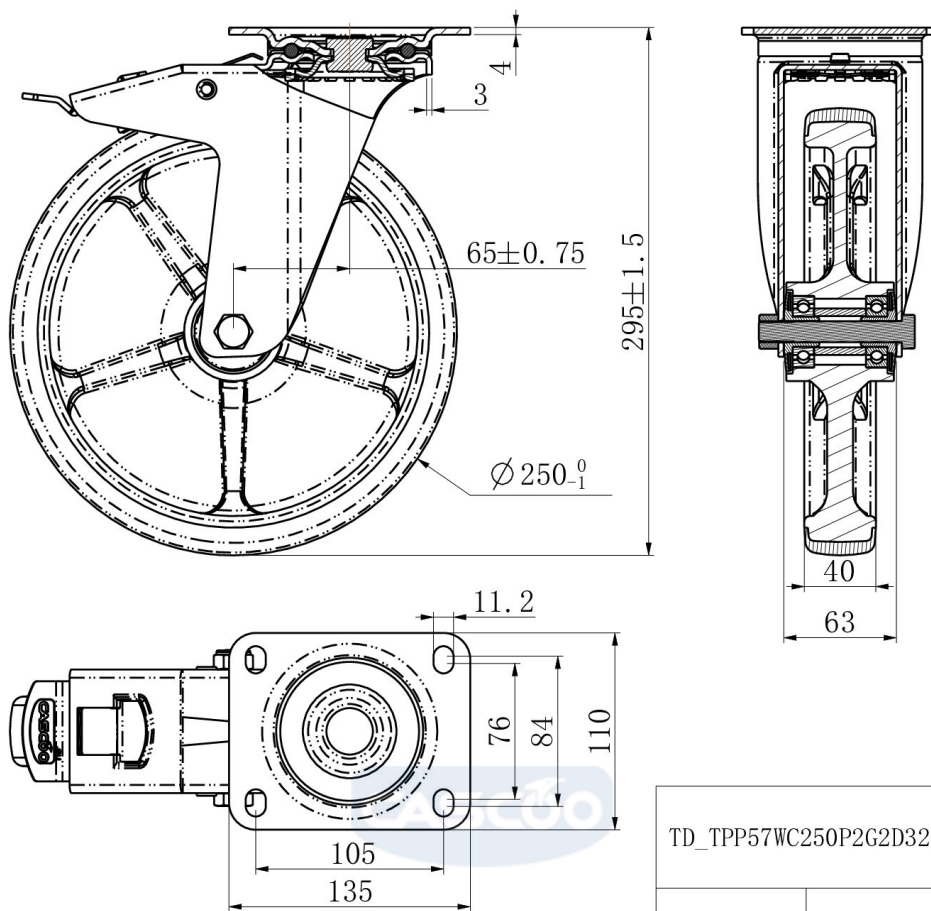
CASTOR TPP57WC250P2G2D32



Product SKU	TPP57WC250P2G2D32
Standard Compliance	DIN EN 12532
Series	P2G2
Fastening	Plate fastening
Brake and Direction	back brake
Material of the Wheel	polypropylene (PP) wheel center
Tread	thermoplastic rubber tread
Temperature range	-20°C to +60°C
Wheel Diameter	250mm
Load Capacity	300kg
Total Height	295mm
Width of Tread	40mm
wheel hub Width	59mm
Offset	65mm
Dimension of Plate	135x110mm
Hole Spacing of the Plate	105x84/76mm
Swivel Radius	180mm
Wheel Bolt Size	M12
Bushing Diameter	12mm
Weight	2.94kg
Wheel Bearing	double ball bearing
Rubber Shore	70° Shore A



CASTOR TPP57WC250P2G2D32



TD_TPP57WC250P2G2D32		
load capacity	300KG	