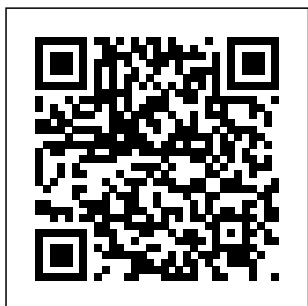


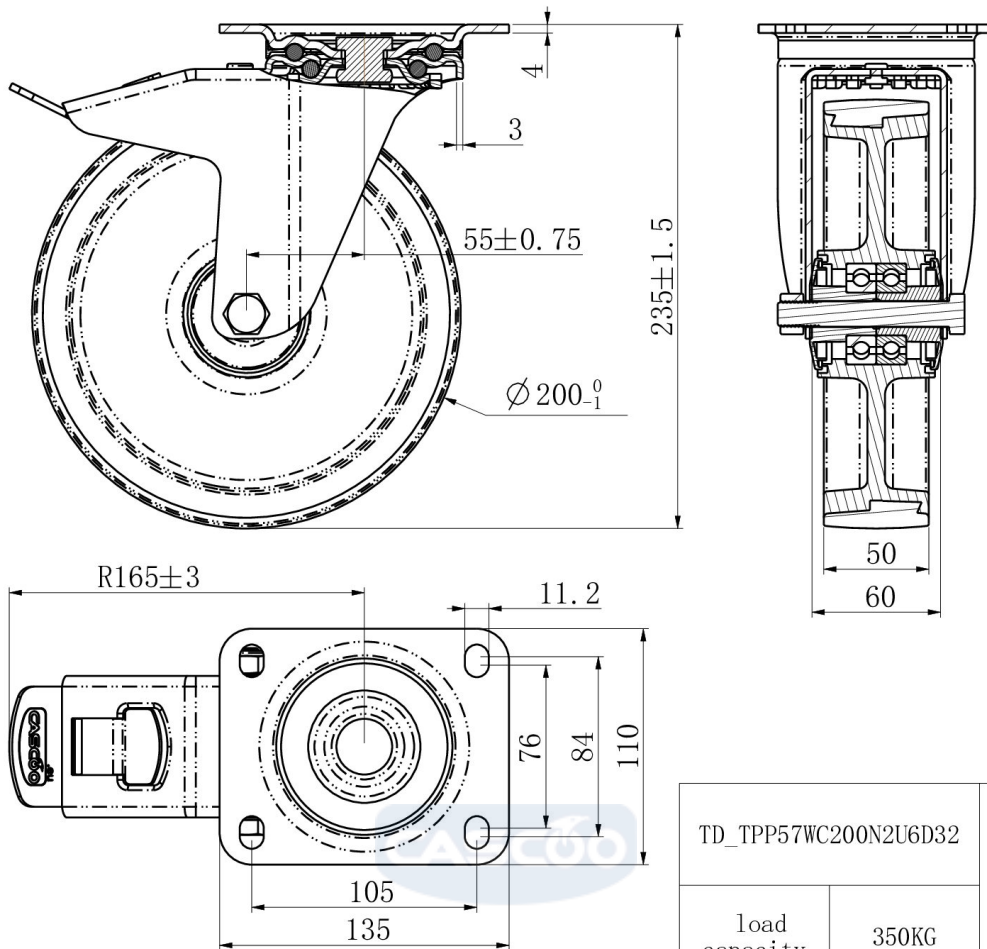
CASTOR TPP57WC200N2U6D32



Product SKU	TPP57WC200N2U6D32
Standard Compliance	DIN EN 12532
Series	N2U6
Fastening	Plate fastening
Brake and Direction	back brake
Material of the Wheel	polyamide (PA) wheel center
Tread	polyurethane (PU) tread
Temperature range	-40°C to +80°C
Wheel Diameter	200mm
Load Capacity	350kg
Total Height	235mm
Width of Tread	48mm
wheel hub Width	59mm
Offset	55mm
Dimension of Plate	135x110mm
Hole Spacing of the Plate	105x84/76mm
Swivel Radius	165mm
Wheel Bolt Size	M12
Bushing Diameter	12mm
Wheel Bearing	double ball bearing
Rubber Shore	95° Shore A



CASTOR TPP57WC200N2U6D32



TD_TPP57WC200N2U6D32		
load capacity	350KG	