

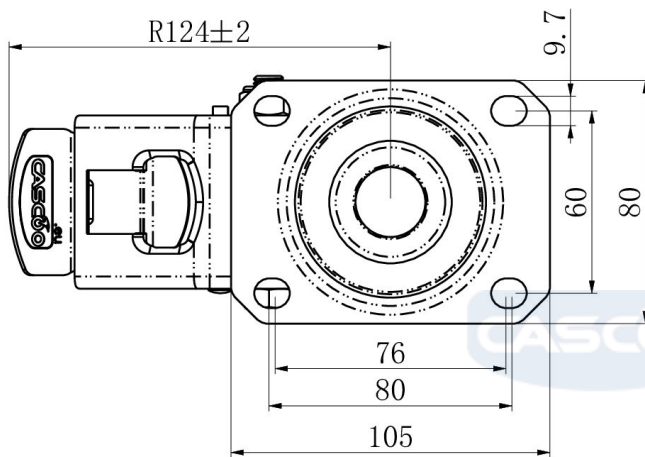
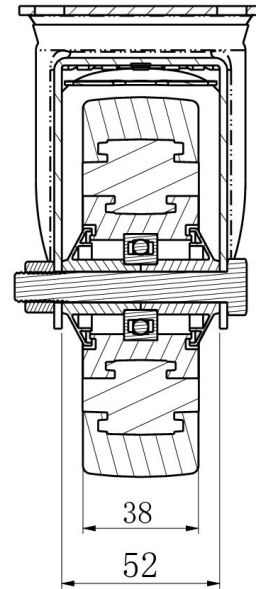
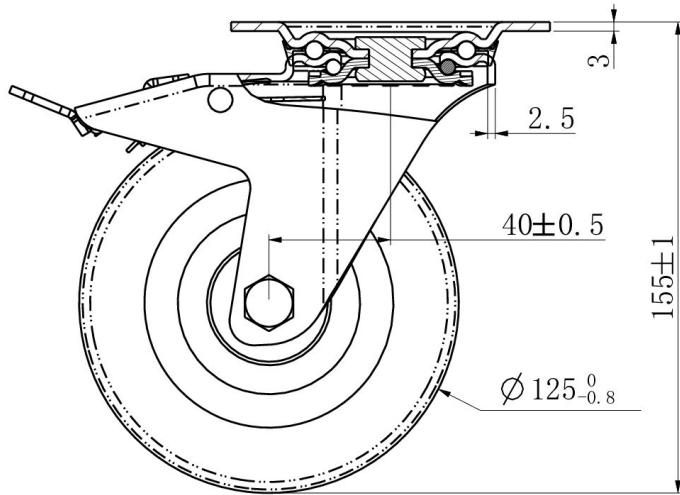
CASTOR TPP31WC125M6N2B32



Product SKU	TPP31WC125M6N2B32
Standard Compliance	DIN EN 12532
Series	M6N2
Fastening	Plate fastening
Brake and Direction	back brake
Material of the Wheel	polyamide (PA) wheel center
Tread	polyamide (PA) tread
Temperature range	-20°C to +80°C
Wheel Diameter	125mm
Load Capacity	200kg
Total Height	155mm
Width of Tread	36mm
wheel hub Width	40mm
Offset	45mm
Dimension of Plate	105x80mm
Hole Spacing of the Plate	80/77x60mm
Swivel Radius	127mm
Wheel Bolt Size	M10
Bushing Diameter	10mm
Wheel Bearing	ball bearing



CASTOR TPP31WC125M6N2B32



TD_TPP31WC125M6N2B32		
load capacity	200KG	