

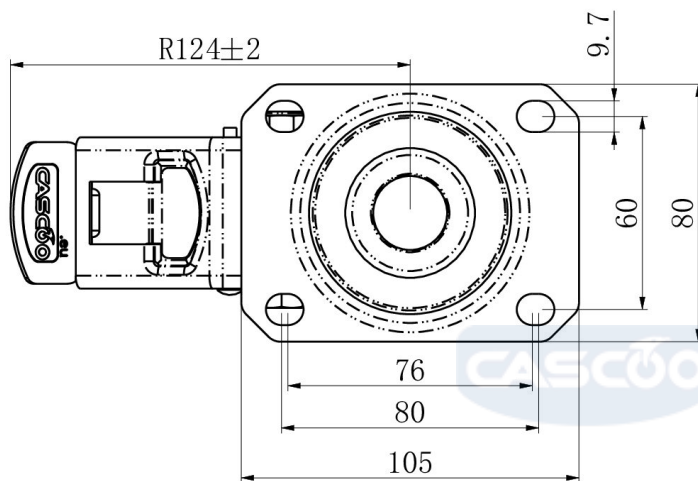
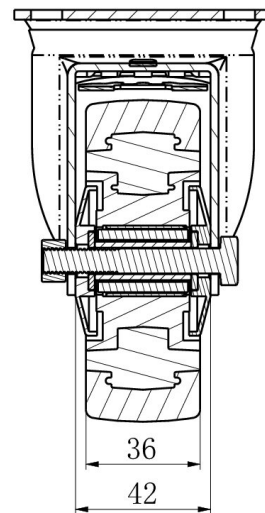
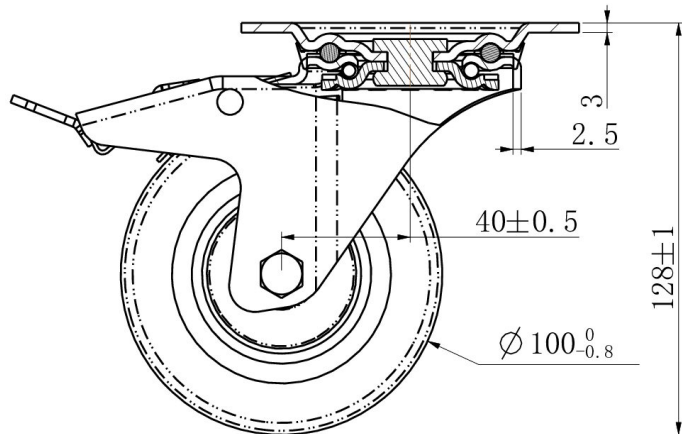
CASTOR TPP21WC100M6N2R32



Product SKU	TPP21WC100M6N2R32
Standard Compliance	DIN EN 12532
Series	M6N2
Fastening	Plate fastening
Brake and Direction	back brake
Material of the Wheel	polyamide (PA) wheel center
Tread	polyamide (PA) tread
Temperature range	-20°C to +80°C
Wheel Diameter	100mm
Load Capacity	160kg
Total Height	128mm
Width of Tread	36mm
wheel hub Width	40mm
Offset	40mm
Dimension of Plate	105x80mm
Hole Spacing of the Plate	80/77x60mm
Swivel Radius	127mm
Wheel Bolt Size	M8
Bushing Diameter	12mm
Wheel Bearing	roller bearing



CASTOR TPP21WC100M6N2R32



TD_TPP21WC100M6N2R32		
load capacity	160KG	