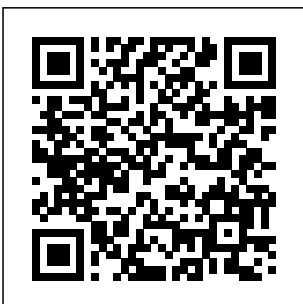


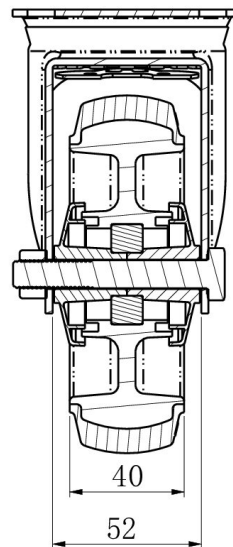
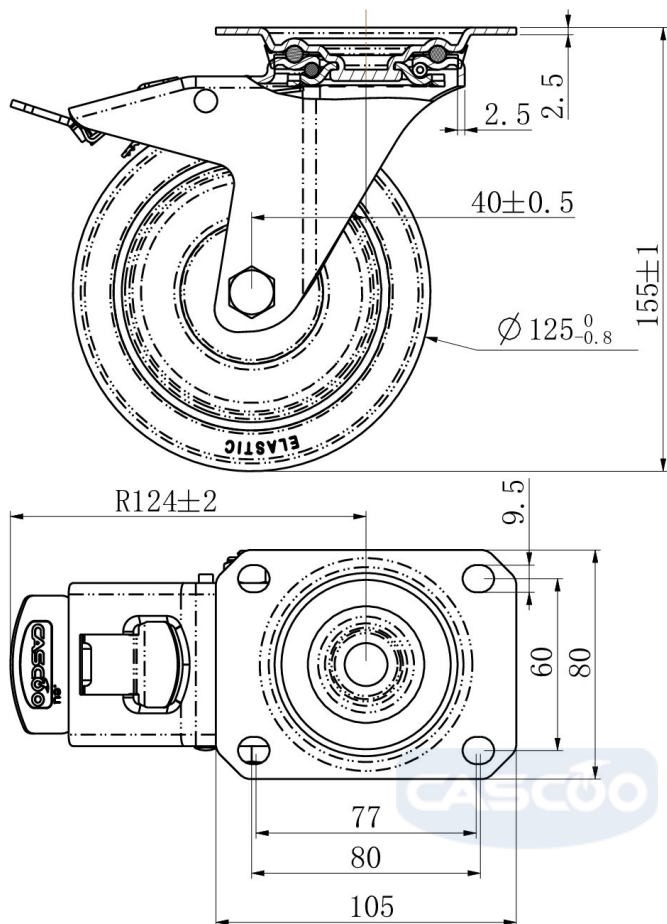
CASTOR TBP35WC125P2D2B32A



Product SKU	TBP35WC125P2D2B32A
Standard Compliance	DIN EN 12532
Series	P2D2 (antistatic)
Fastening	Plate fastening
Brake and Direction	back brake
Material of the Wheel	polypropylene (PP) wheel center
Tread	thermoplastic rubber tread
Temperature range	-20°C to +60°C
Wheel Diameter	125mm
Load Capacity	120kg
Total Height	155mm
Width of Tread	40mm
wheel hub Width	50mm
Offset	45mm
Dimension of Plate	105x80mm
Hole Spacing of the Plate	80/77x60mm
Swivel Radius	127mm
Wheel Bolt Size	M10
Bushing Diameter	10mm
Weight	1.01kg
Wheel Bearing	ball bearing
Special Features	antistatic



CASTOR TBP35WC125P2D2B32A



TD_TBP35WC125P2D2B32A		
load capacity	120KG	