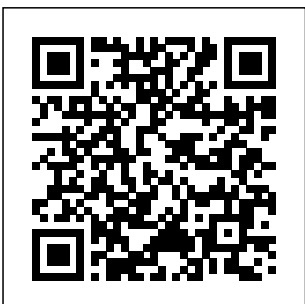


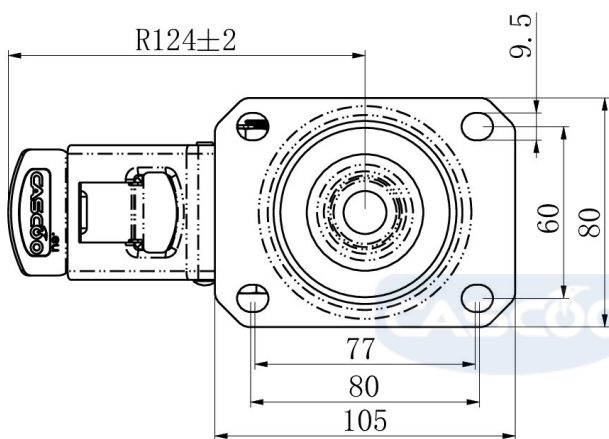
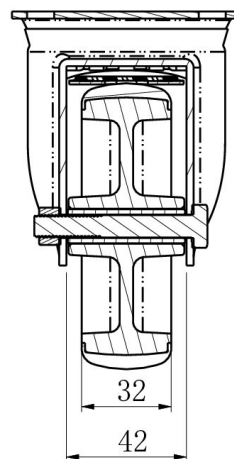
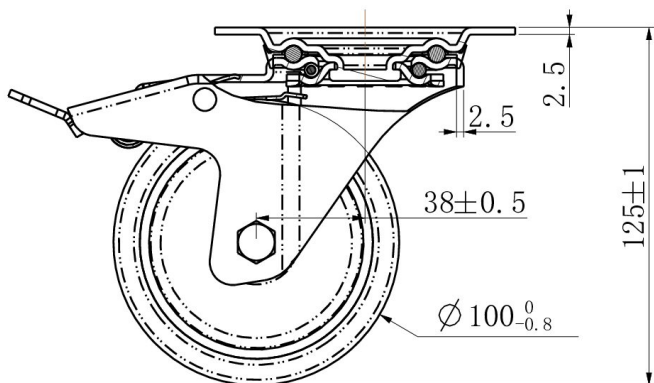
CASTOR TBP25WC100P2W2P0N



Product SKU	TBP25WC100P2W2P0N
Standard Compliance	DIN EN 12532
Series	P2W2
Fastening	Plate fastening
Brake and Direction	back brake
Material of the Wheel	polypropylene (PP) wheel center
Tread	thermoplastic rubber tread
Temperature range	-20°C to +60°C
Wheel Diameter	100mm
Load Capacity	100kg
Total Height	125mm
Width of Tread	32mm
wheel hub Width	40mm
Offset	40mm
Dimension of Plate	105x80mm
Hole Spacing of the Plate	80/77x60mm
Swivel Radius	127mm
Wheel Bolt Size	M8
Bushing Diameter	12mm
Weight	0.75kg
Wheel Bearing	plain bearing
Rubber Shore	95° Shore A



CASTOR TBP25WC100P2W2P0N



TD_TBP25WC100P2W2P0N		
load capacity	100KG	