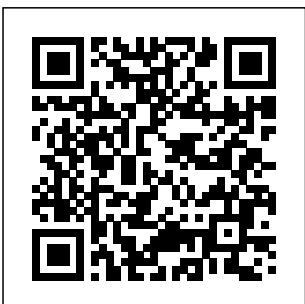


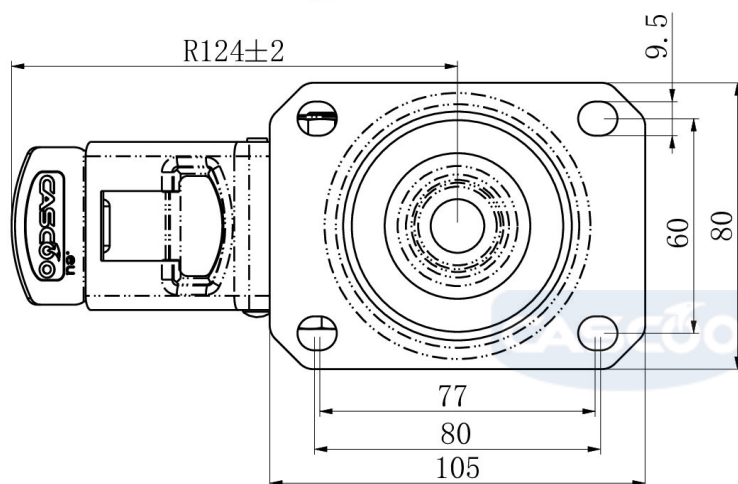
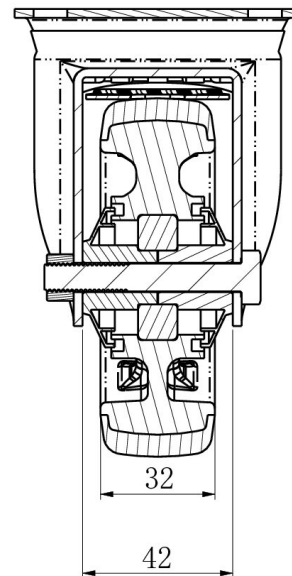
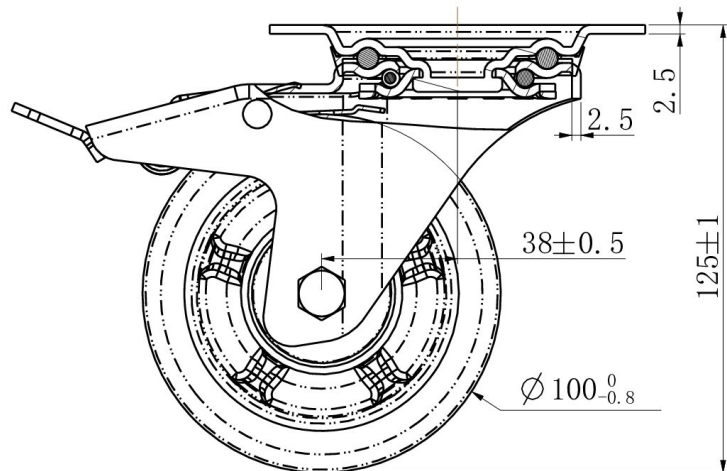
CASTOR TBP25WC100P2G2B32



Product SKU	TBP25WC100P2G2B32
Standard Compliance	DIN EN 12532
Series	P2G2
Fastening	Plate fastening
Brake and Direction	back brake
Material of the Wheel	polypropylene (PP) wheel center
Tread	thermoplastic rubber tread
Temperature range	-20°C to +60°C
Wheel Diameter	100mm
Load Capacity	130kg
Total Height	125mm
Width of Tread	32mm
wheel hub Width	40mm
Offset	40mm
Dimension of Plate	105x80mm
Hole Spacing of the Plate	80/77x60mm
Swivel Radius	127mm
Wheel Bolt Size	M8
Bushing Diameter	8mm
Weight	0.81kg
Wheel Bearing	ball bearing
Rubber Shore	70° Shore A



CASTOR TBP25WC100P2G2B32



TD_TBP25WC100P2G2B32		
load capacity	135KG	