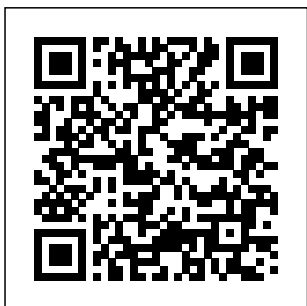


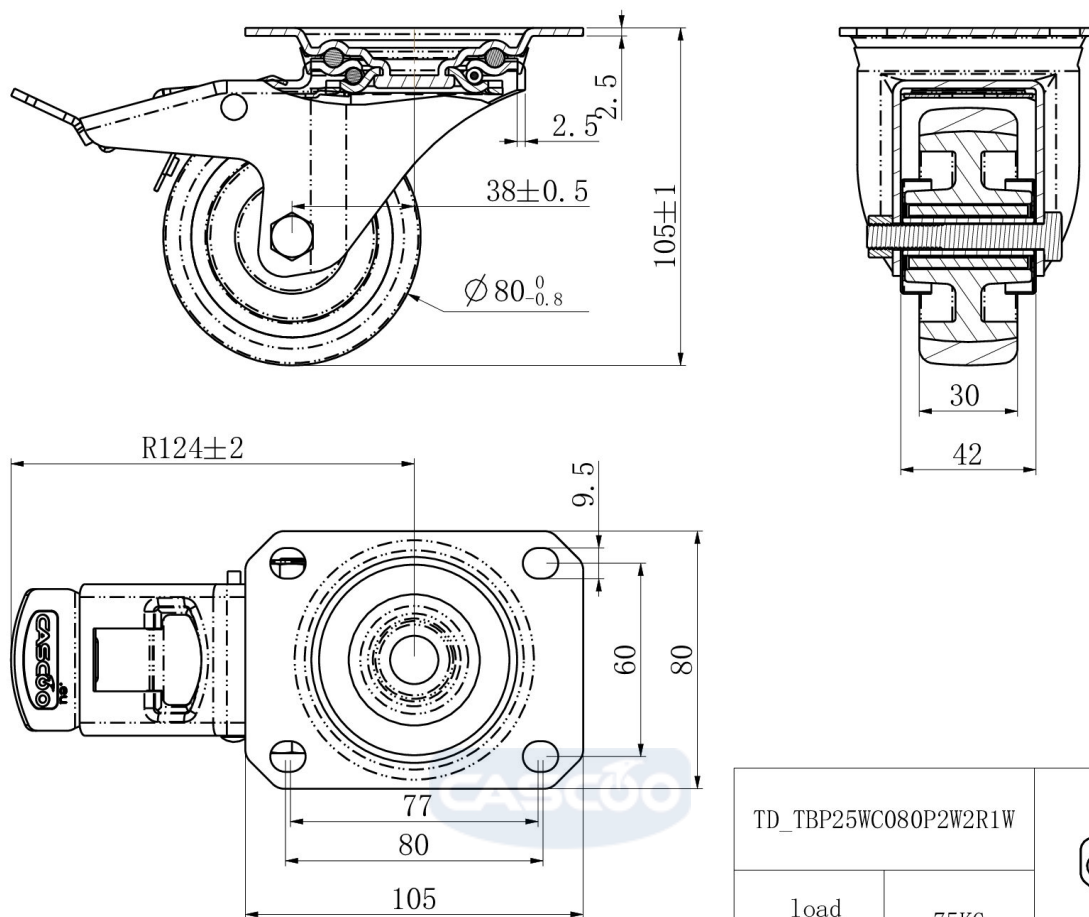
CASTOR TBP25WC080P2W2R1W



Product SKU	TBP25WC080P2W2R1W
Standard Compliance	DIN EN 12532
Series	P2W2
Fastening	Plate fastening
Brake and Direction	back brake
Material of the Wheel	polypropylene (PP) wheel center
Tread	thermoplastic rubber tread
Temperature range	-20°C to +60°C
Wheel Diameter	80mm
Load Capacity	80kg
Total Height	105mm
Width of Tread	30mm
wheel hub Width	40mm
Offset	40mm
Dimension of Plate	105x80mm
Hole Spacing of the Plate	80/77x60mm
Swivel Radius	127mm
Wheel Bolt Size	M8
Bushing Diameter	12mm
Weight	0.74kg
Wheel Bearing	roller bearing
Rubber Shore	95° Shore A



CASTOR TBP25WC080P2W2R1W



TD_TBP25WC080P2W2R1W		
load capacity	75KG	