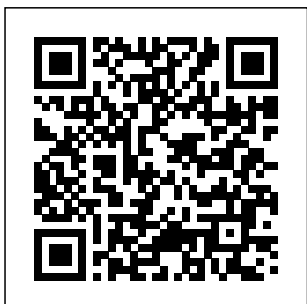


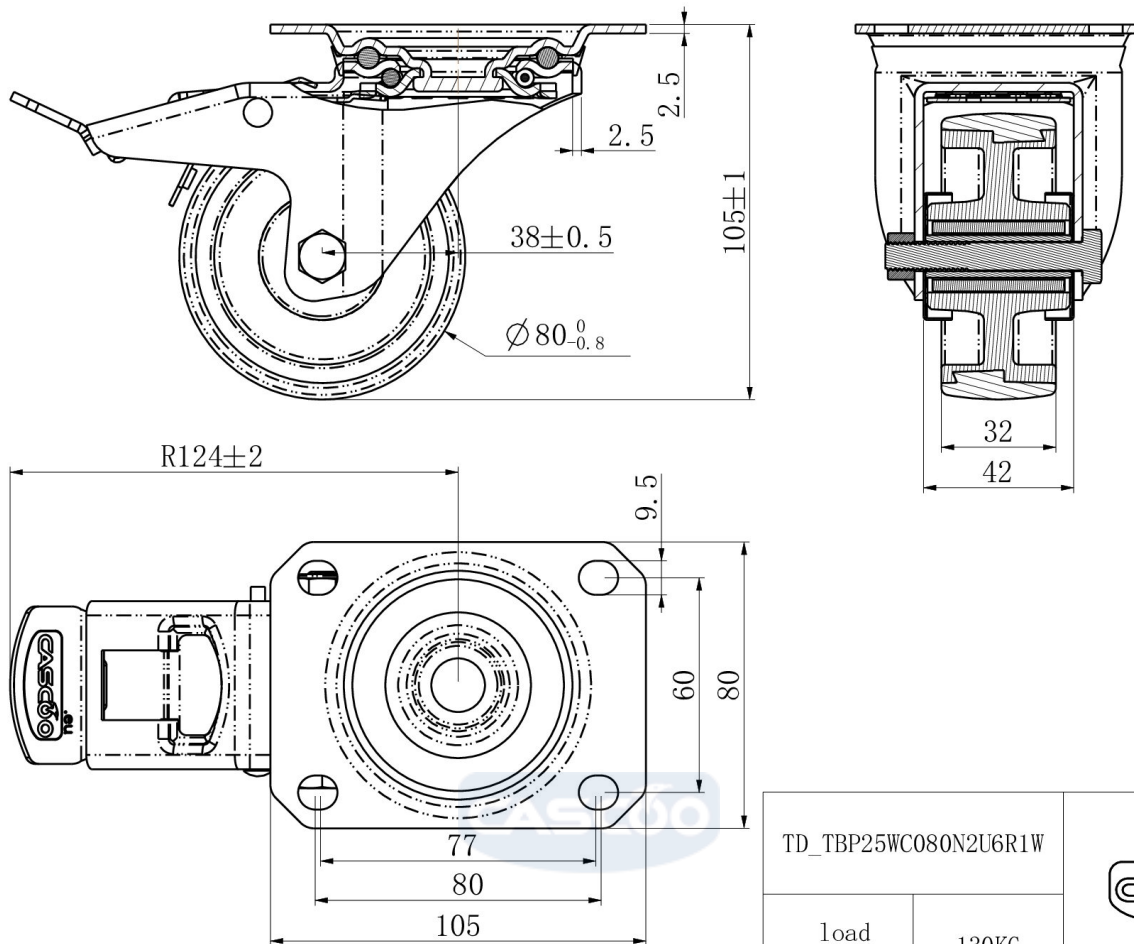
## CASTOR TBP25WC080N2U6R1W



<b>Product SKU</b>	TBP25WC080N2U6R1W
<b>Standard Compliance</b>	DIN EN 12532
<b>Series</b>	N2U6
<b>Fastening</b>	Plate fastening
<b>Brake and Direction</b>	back brake
<b>Material of the Wheel</b>	polyamide (PA) wheel center
<b>Tread</b>	polyurethane (PU) tread
<b>Temperature range</b>	-40°C to +80°C
<b>Wheel Diameter</b>	80mm
<b>Load Capacity</b>	130kg
<b>Total Height</b>	105mm
<b>Width of Tread</b>	32mm
<b>wheel hub Width</b>	40mm
<b>Offset</b>	40mm
<b>Dimension of Plate</b>	105x80mm
<b>Hole Spacing of the Plate</b>	80/77x60mm
<b>Swivel Radius</b>	127mm
<b>Wheel Bolt Size</b>	M8
<b>Bushing Diameter</b>	12mm
<b>Weight</b>	0.77kg
<b>Wheel Bearing</b>	roller bearing
<b>Rubber Shore</b>	95° Shore A



# CASTOR TBP25WC080N2U6R1W



TD_TBP25WC080N2U6R1W		
load capacity	130KG	