

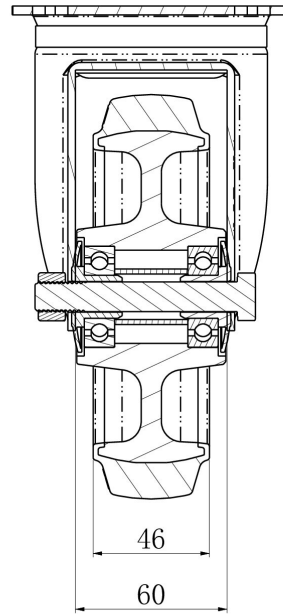
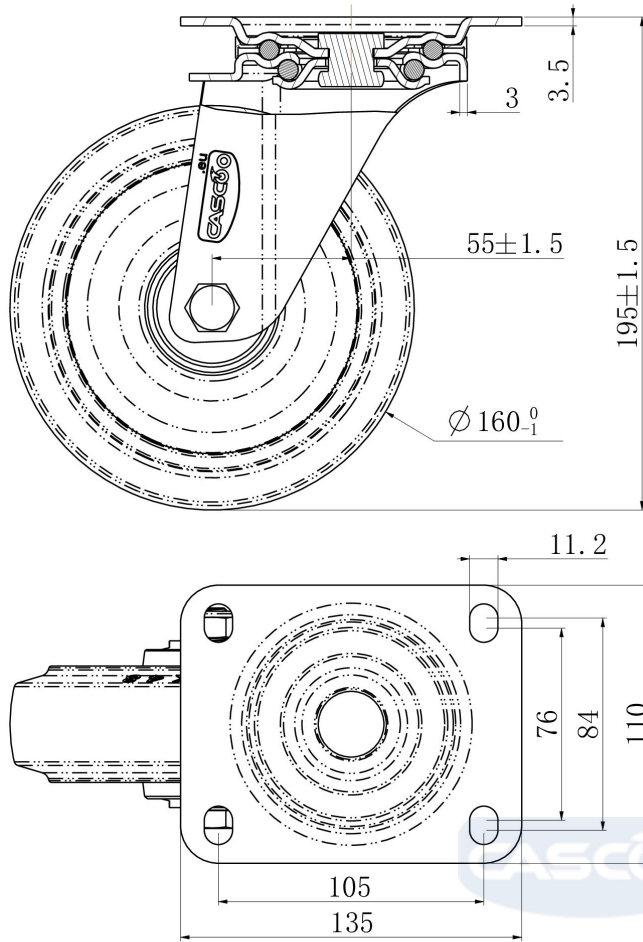
## CASTOR SPP58WC160R4E1D34



<b>Product SKU</b>	SPP58WC160R4E1D34
<b>Standard Compliance</b>	DIN EN 12532
<b>Series</b>	R4E1
<b>Fastening</b>	Plate fastening
<b>Brake and Direction</b>	swivel without brake
<b>Material of the Wheel</b>	polyamide (PA) wheel center
<b>Tread</b>	elastic tread
<b>Temperature range</b>	-20°C to +80°C
<b>Wheel Diameter</b>	160mm
<b>Load Capacity</b>	300kg
<b>Total Hight</b>	195mm
<b>Width of Tread</b>	46mm
<b>wheel hub Width</b>	59mm
<b>Offset</b>	55mm
<b>Dimension of Plate</b>	135x110mm
<b>Hole Spacing of the Plate</b>	105x84/76mm
<b>Wheel Bolt Size</b>	M12
<b>Bushing Diameter</b>	12mm
<b>Weight</b>	1.93kg
<b>Wheel Bearing</b>	double ball bearing
<b>Rubber Shore</b>	65° Shore A



# CASTOR SPP58WC160R4E1D34



TD_SPP58WC160R4E1D34		
load capacity	300KG	