

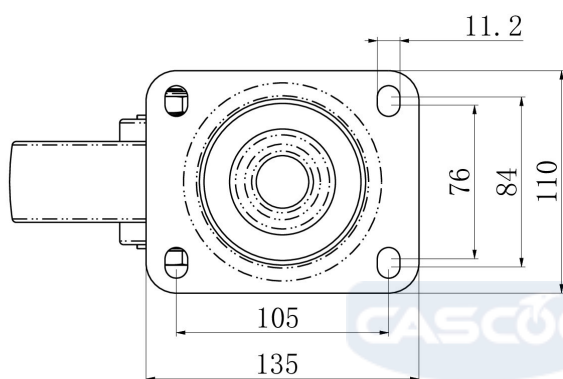
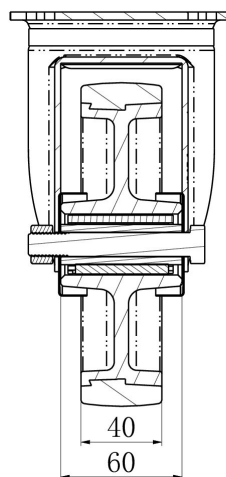
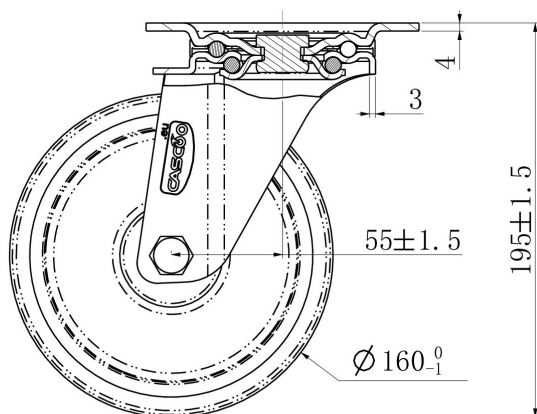
CASTOR SPP57WC160N2U6R1W



| | |
|----------------------------------|-----------------------------|
| Product SKU | SPP57WC160N2U6R1W |
| Standard Compliance | DIN EN 12532 |
| Series | N2U6 |
| Fastening | Plate fastening |
| Brake and Direction | swivel without brake |
| Material of the Wheel | polyamide (PA) wheel center |
| Tread | polyurethane (PU) tread |
| Temperature range | -40°C to +80°C |
| Wheel Diameter | 160mm |
| Load Capacity | 350kg |
| Total Height | 195mm |
| Width of Tread | 40mm |
| wheel hub Width | 59mm |
| Offset | 55mm |
| Dimension of Plate | 135x110mm |
| Hole Spacing of the Plate | 105x84/76mm |
| Wheel Bolt Size | M12 |
| Bushing Diameter | 20mm |
| Weight | 1.9kg |
| Wheel Bearing | roller bearing |
| Rubber Shore | 95° Shore A |



CASTOR SPP57WC160N2U6R1W



| | | |
|----------------------|-------|---|
| TD_SPP57WC160N2U6R1W | |  |
| load capacity | 300KG | |