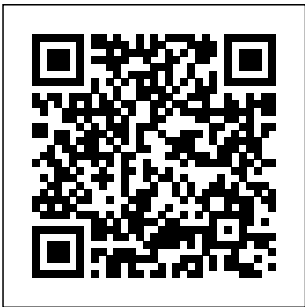


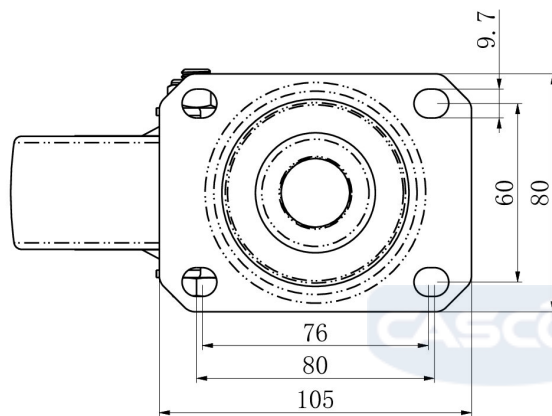
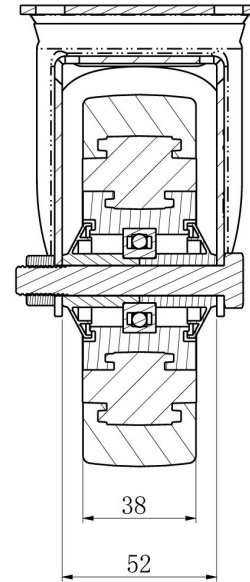
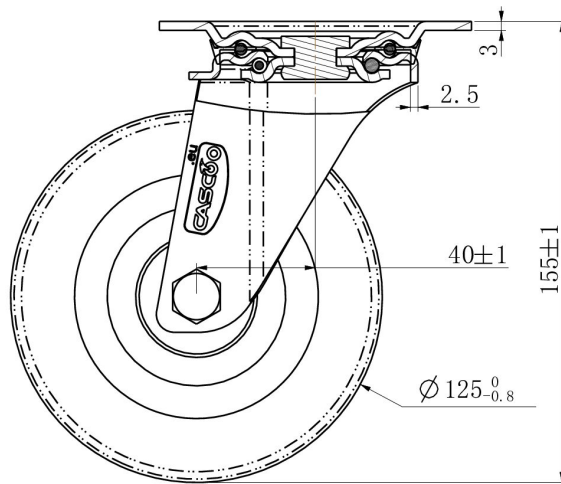
## CASTOR SPP31WC125M6N2B32




<b>Product SKU</b>	SPP31WC125M6N2B32
<b>Standard Compliance</b>	DIN EN 12532
<b>Series</b>	M6N2
<b>Fastening</b>	Plate fastening
<b>Brake and Direction</b>	swivel without brake
<b>Material of the Wheel</b>	polyamide (PA) wheel center
<b>Tread</b>	polyamide (PA) tread
<b>Temperature range</b>	-20°C to +80°C
<b>Wheel Diameter</b>	125mm
<b>Load Capacity</b>	200kg
<b>Total Height</b>	155mm
<b>Width of Tread</b>	36mm
<b>wheel hub Width</b>	40mm
<b>Offset</b>	40mm
<b>Dimension of Plate</b>	105x80mm
<b>Hole Spacing of the Plate</b>	80/77x60mm
<b>Wheel Bolt Size</b>	M10
<b>Bushing Diameter</b>	10mm
<b>Wheel Bearing</b>	ball bearing



# CASTOR SPP31WC125M6N2B32



TD_SPP31WC125M6N2B32		
load capacity	200KG	