

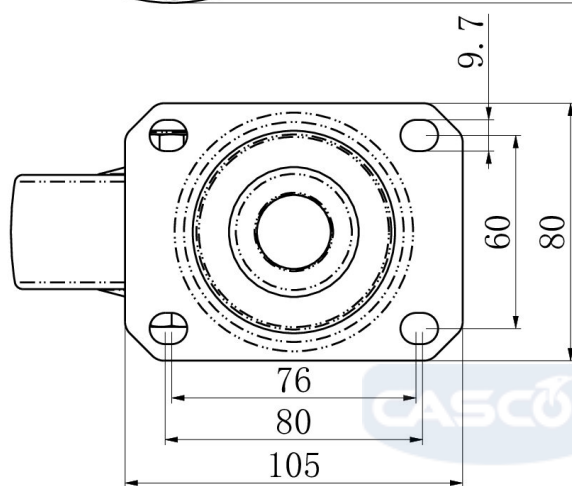
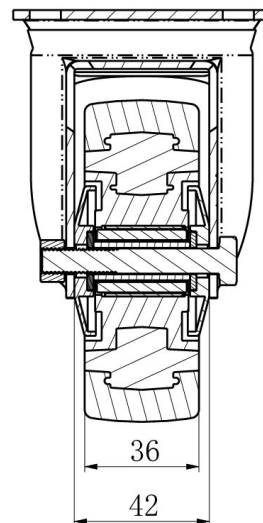
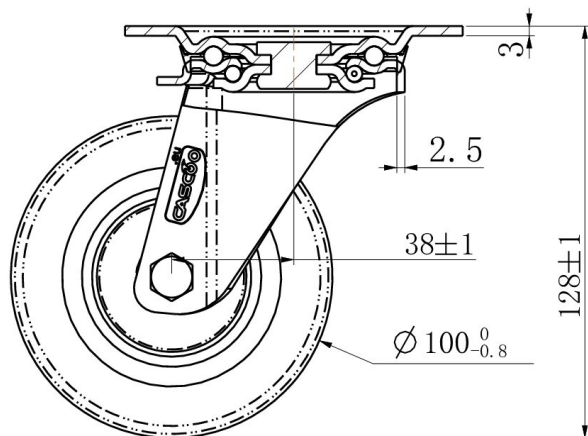
CASTOR SPP21WC100M6N2R32



| | |
|----------------------------------|-----------------------------|
| Product SKU | SPP21WC100M6N2R32 |
| Standard Compliance | DIN EN 12532 |
| Series | M6N2 |
| Fastening | Plate fastening |
| Brake and Direction | swivel without brake |
| Material of the Wheel | polyamide (PA) wheel center |
| Tread | polyamide (PA) tread |
| Temperature range | -20°C to +80°C |
| Wheel Diameter | 100mm |
| Load Capacity | 160kg |
| Total Height | 128mm |
| Width of Tread | 36mm |
| wheel hub Width | 40mm |
| Offset | 40mm |
| Dimension of Plate | 105x80mm |
| Hole Spacing of the Plate | 80/77x60mm |
| Wheel Bolt Size | M8 |
| Bushing Diameter | 12mm |
| Weight | 0.84kg |
| Wheel Bearing | roller bearing |



CASTOR SPP21WC100M6N2R32



| | | |
|----------------------|-------|--|
| TD_SPP21WC100M6N2R32 | | |
| load capacity | 160KG | |