

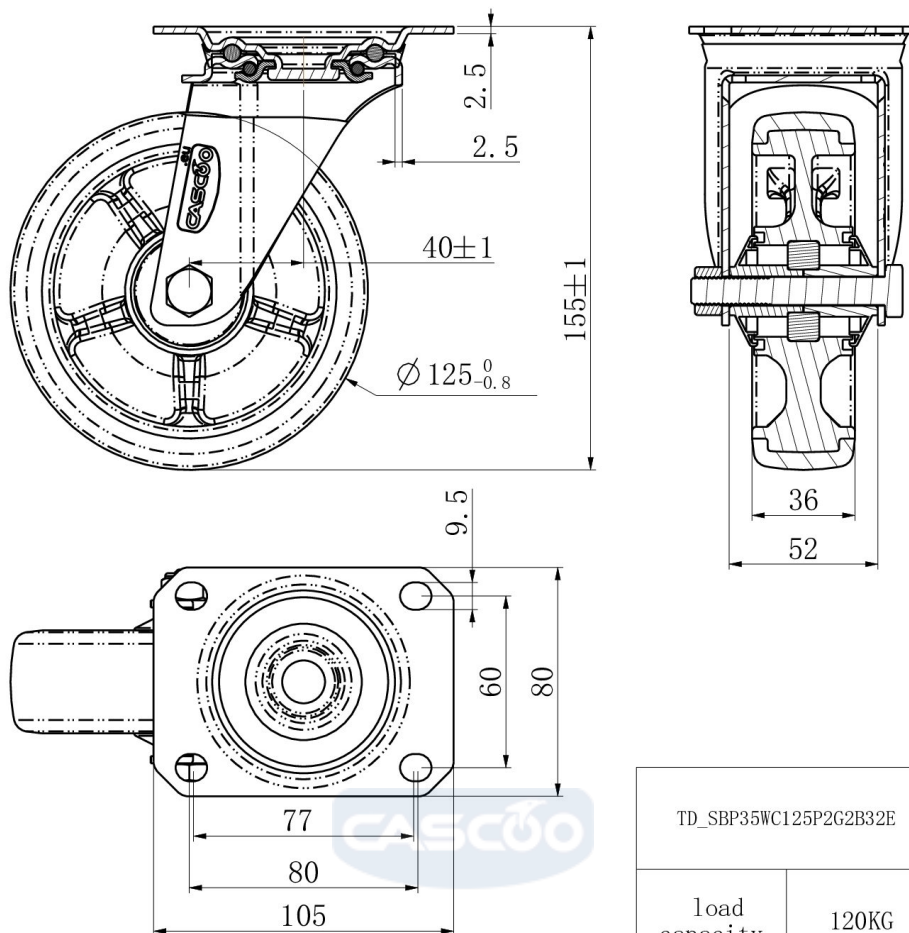
CASTOR SBP35WC125P2G2B32E



Product SKU	SBP35WC125P2G2B32E
Standard Compliance	DIN EN 12532
Series	P2G2 (ESD)
Fastening	Plate fastening
Brake and Direction	swivel without brake
Material of the Wheel	polypropylene (PP) wheel center
Tread	thermoplastic rubber tread
Temperature range	-20°C to +60°C
Wheel Diameter	125mm
Load Capacity	120kg
Total Height	155mm
Width of Tread	35mm
wheel hub Width	50mm
Offset	40mm
Dimension of Plate	105x80mm
Hole Spacing of the Plate	80/77x60mm
Wheel Bolt Size	M10
Bushing Diameter	10mm
Weight	0.79kg
Wheel Bearing	ball bearing
Special Features	electrostatic (ESD)



CASTOR SBP35WC125P2G2B32E



TD_SBP35WC125P2G2B32E		
load capacity	120KG	