

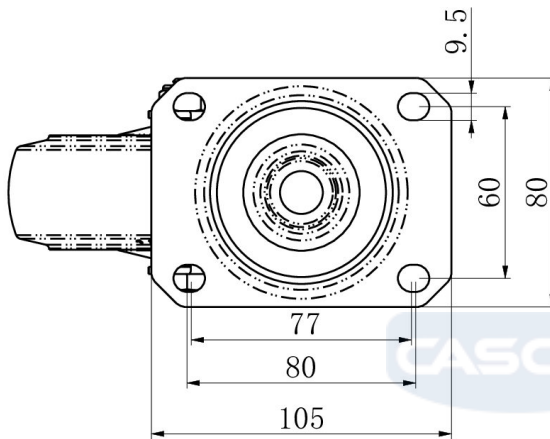
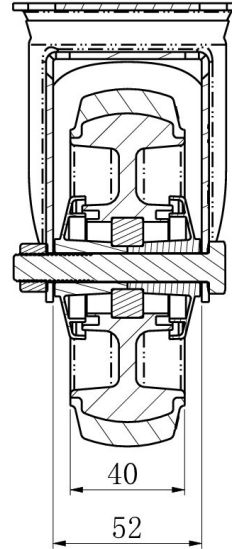
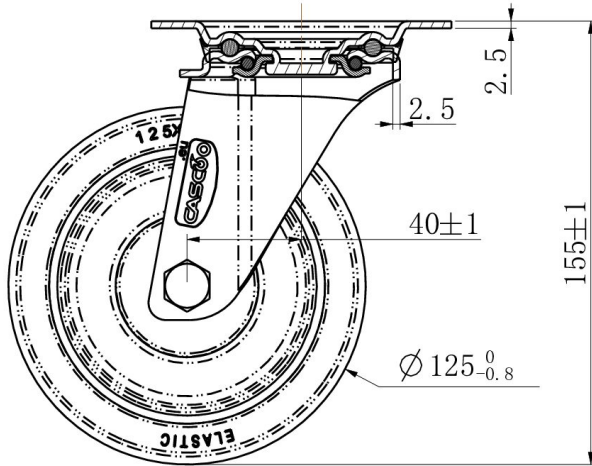
## CASTOR SBP35WC125P2D2B32E




|                                  |                                 |
|----------------------------------|---------------------------------|
| <b>Product SKU</b>               | SBP35WC125P2D2B32E              |
| <b>Standard Compliance</b>       | DIN EN 12532                    |
| <b>Series</b>                    | P2D2 (ESD)                      |
| <b>Fastening</b>                 | Plate fastening                 |
| <b>Brake and Direction</b>       | swivel without brake            |
| <b>Material of the Wheel</b>     | polypropylene (PP) wheel center |
| <b>Tread</b>                     | thermoplastic rubber tread      |
| <b>Temperature range</b>         | -20°C to +60°C                  |
| <b>Wheel Diameter</b>            | 125mm                           |
| <b>Load Capacity</b>             | 120kg                           |
| <b>Total Height</b>              | 155mm                           |
| <b>Width of Tread</b>            | 40mm                            |
| <b>wheel hub Width</b>           | 50mm                            |
| <b>Offset</b>                    | 40mm                            |
| <b>Dimension of Plate</b>        | 105x80mm                        |
| <b>Hole Spacing of the Plate</b> | 80/77x60mm                      |
| <b>Wheel Bolt Size</b>           | M10                             |
| <b>Bushing Diameter</b>          | 10mm                            |
| <b>Weight</b>                    | 0.84kg                          |
| <b>Wheel Bearing</b>             | ball bearing                    |
| <b>Special Features</b>          | electrostatic (ESD)             |



CASTOR SBP35WC125P2D2B32E



|                       |       |   |
|-----------------------|-------|---|
| TD_SBP35WC125P2D2B32E |       |  |
| load capacity         | 120KG |   |